



DRYPOINT® MD

space saving compressed air membrane dryers



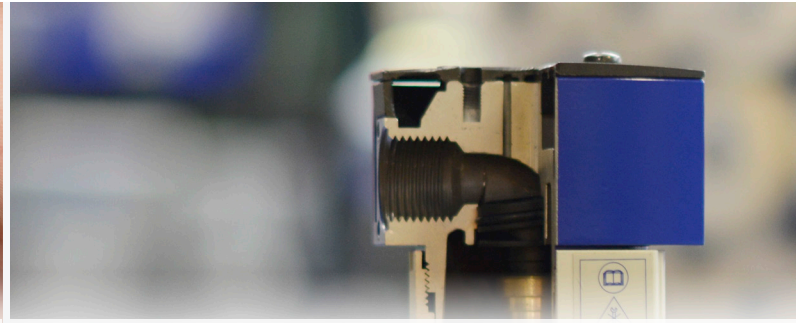
Truth in Compressed Air

DRYPOINT® MD Membrane Dryers



Instant Results

Our exclusive membrane technology, manufactured by BEKO Technologies, achieves the desired pressure dew point in 10-minutes or less.



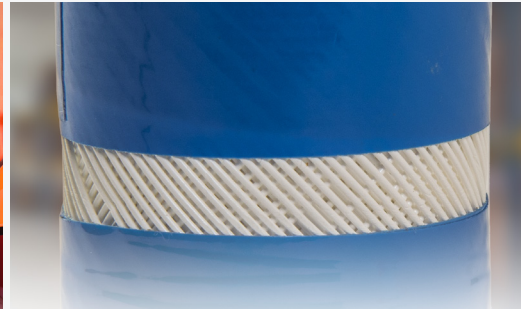
Reliability

Using advanced manufacturing techniques together with housings similar to our filtration line, DRYPOINT MD is designed to perform in the toughest environments.



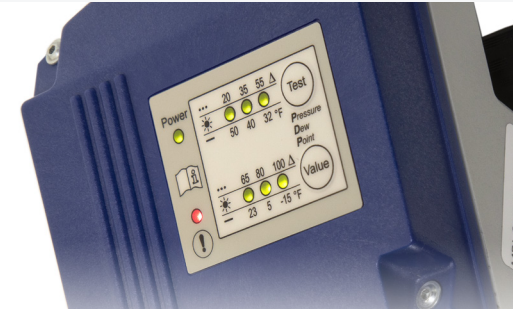
Maintenance Free

Membrane air dryers have no moving parts and require no electricity (excluding MDi models) making them maintenance free and ideal for mobile applications.



Twist 45

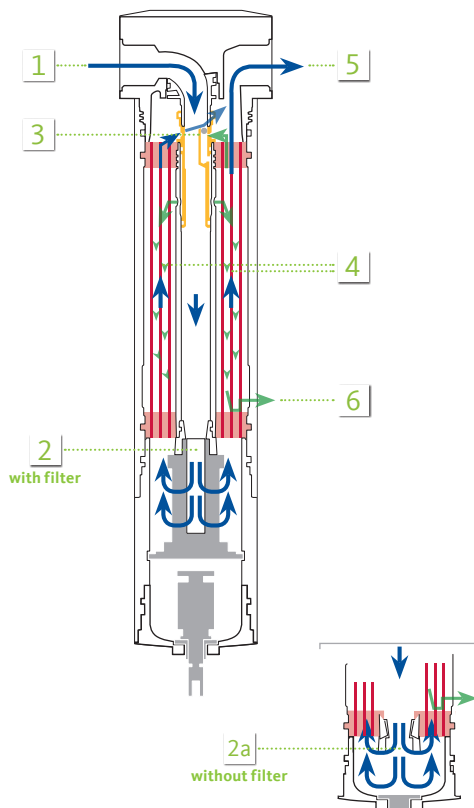
Twist 45 technology provides the highest possible membrane performance by layering the individual membrane fibers at a 45° angle.



Preset PDP

The DRYPOINT MDi is the *only* dryer in the world that offers users the ability to select their desired outlet pressure dew point.

How it Works



1. The compressed air flows into the core tube of the membrane dryer.
2. In the filter element, it is diverted; filtered compressed air enters the hollow fibers of the membrane element.
3. The purge air required for drying is continuously diverted in the outlet zone of the membrane element and is atmospherically expanded through a defined nozzle opening. This purge air is significantly drier due to the expansion, as the humidity contained in the compressed air is now distributed to a multiple of volume. The dry purge air is led via the outside of the membrane fibers.
4. Two air flows with different moisture contents move in a reverse current through the membrane element, only separated by the membrane wall. The humid compressed air flows inside the hollow fiber membranes, and the dry purge air flows outside. As a result of the different moisture contents, the humidity diffuses from the compressed air into the purge air. The drying process is highly efficient thanks to the controlled winding of the membrane fibers, the TWIST 45 technology.
5. The dry compressed air leaves the membrane element.
6. The humid purge air is released into the environment.

Click or scan to watch on



YouTube

DRYPOINT® MD Membrane Dryers

Membrane air dryers are a type of dryer that use permeable fiber technology and the process of de-humidification to dry compressed air streams to the required dew point of an application. The Compressed Air and Gas Institute advises us to dry only the compressed air that is actually being used, and to make it only as dry as the application truly requires. Membrane air dryers are perfectly suited for this type of point-of-use drying, are adaptable to various ambient conditions, and require no electricity.

Compare



MDe Line
Economy Series



MDp Line
Premium Series



MDi Line
ecoIntelligent Series

Flow Rates

1 - 120 scfm

1 - 120 scfm

1 - 120 scfm

Maximum Inlet Air Temperature

140 °F at 100 psig
120 °F at 180 psig

140 °F at 100 psig
120 °F at 180 psig

122 °F at 145 psig

Fixed or Adjustable Outlet Pressure Dew Point | ISO 8573-1:2010 Air Quality Class

Fixed | Class 2-6

Fixed | Class 2-6

User Adjustable | Class 2-6

Pre-filter Integrated to Housing

No

Yes

Yes

Standard Pipe Sizes

¼ - 1 ½"

¼ - 1 ½"

¾ - 1"

Available Options

Wall brackets, Cover3More extended warranty

Wall brackets, Remote purge air switch, Cover3More extended warranty

Cover3More extended warranty

Product Family



Tubular model for low flow rates



Filter style MDp version for higher flow rates



MDi with adjustable outlet PDP

DRYPOINT® MD Product Selector Chart

product sizing table for MDe and MDp series membrane air dryers

Inlet Pressure Dew Point (PDP)		Desired Outlet PDP Result Based on Nearest Inlet PDP Parameter			
40 °F	with refrigerant drying	26 °F	0 °F	-30 °F	-40 °F
100 °F	without refrigerant drying	70 °F	35 °F	-4 °F	-20 °F

Model Selector	Flow Rate (scfm)							
	Inlet		Outlet		Inlet		Outlet	
MDe 2 and MDp 2	2.09	1.92	.98	.81	.64	.47	.58	.42
MDe 4 and MDp 4	4.18	3.83	2.07	1.72	1.44	1.09	1.33	.96
MDe 6 and MDp 6	6.27	5.75	3.10	2.58	2.15	1.63	2.00	1.44
MDe 8 and MDp 8	8.36	7.67	4.13	3.43	2.87	2.17	2.63	1.89
MDe 10 and MDp 10	11.34	10.29	5.70	4.66	4.10	3.05	3.85	2.77
MDe 12 and MDp 12	12.55	11.50	6.20	5.15	4.31	3.26	3.89	2.81
MDe 17 and MDp 17	16.73	15.33	8.25	6.85	5.75	4.35	5.17	3.76
MDe 25 and MDp 25	25.09	23.00	12.41	10.31	8.63	6.53	7.94	5.69
MDe 35 and MDp 35	33.46	30.66	16.53	13.74	11.50	8.70	10.51	7.56
MDe 45 and MDp 45	43.29	39.09	24.24	20.05	17.25	13.06	15.97	11.52
MDe 55 and MDp 55	55.89	50.64	28.92	23.68	20.65	15.40	19.08	13.68
MDe 65 and MDp 65	67.21	60.81	35.49	29.09	25.21	18.81	23.56	16.92
MDe 100 and MDp 100	100.77	91.37	53.26	43.85	37.86	28.46	35.33	25.42
MDe 130 and MDp 130	134.35	121.78	71.00	58.41	50.48	37.90	46.79	33.70

Correction Factors

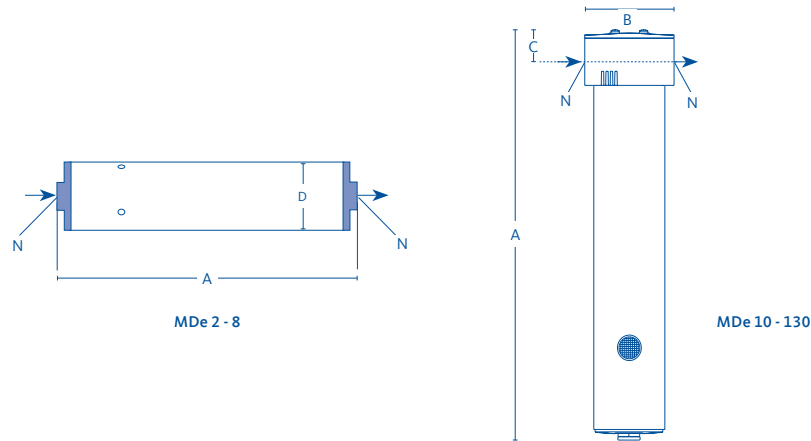
Operating Pressure (psig)	40	50	60	70	80	90	100	110	120	130	140	150	160	170	180
Correction Factor	0.22	0.32	0.42	0.54	0.68	0.83	1.00	1.13	1.26	1.40	1.55	1.70	1.87	2.03	2.19

Technical Details

DRYPOINT® MDe Economy Series Membrane Dryers

standard membrane air dryer with tubular or filter style housing

- › Required pre-filtration: 5 µm (MDe 2-8), .01 µm (MDe 10-130)
- › Min. ambient air temperature: 34 °F
- › Max. standard operating conditions: 140 °F / 100 psig
- › Max. optional operating conditions: 120 °F / 180 psig



DRYPOINT® MDe	MDe 2	MDe 4	MDe 6	MDe 8	MDe 10	MDe 12	MDe 17
Connection Size (NPT)	¼"	¼"	¼"	¼"	⅜"	⅜"	⅜"
Inlet Flow Rate (scfm)	2.09	4.18	6.27	8.36	11.34	12.55	16.73
Installation Orientation and Housing Design	Horizontal Tubular Style	Horizontal Tubular Style	Horizontal Tubular Style	Horizontal Tubular Style	Vertical Filter Style	Vertical Filter Style	Vertical Filter Style

Dimensions and Weight

A (inches)	5.51	7.48	9.06	11.42	13.34	16.10	18.46
B (inches)	-	-	-	-	2.95	2.95	2.95
C (inches)	-	-	-	-	1.10	1.10	1.10
D (inches)	ø1.77	ø1.77	ø1.77	ø1.77	-	-	-
Weight (lbs)	0.60	0.77	0.90	1.08	4.08	4.58	4.97

DRYPOINT® MDe	MDe 25	MDe 35	MDe 45	MDe 55	MDe 65	MDe 100	MDe 130
Connection Size (NPT)	¾"	¾"	¾"	¾"	1½"	1½"	1½"
Inlet Flow Rate (scfm)	25.09	33.46	43.29	55.89	67.21	100.77	134.35
Installation Orientation and Housing Design	Vertical Filter Style	Vertical Filter Style	Vertical Filter Style	Vertical Filter Style	Vertical Filter Style	Vertical Filter Style	Vertical Filter Style

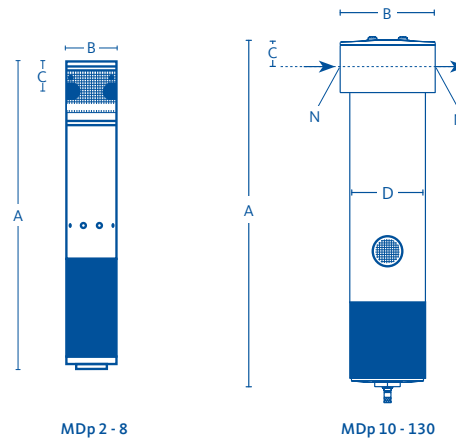
Dimensions and Weight

A (inches)	18.98	20.95	23.70	26.46	23.20	28.30	34.60
B (inches)	3.94	3.94	3.94	3.94	5.74	5.74	5.74
C (inches)	1.34	1.34	1.34	1.34	1.89	1.89	1.89
D (inches)	-	-	-	-	-	-	-
Weight (lbs)	7.66	8.38	8.99	9.64	17.14	19.56	22.00

DRYPOINT® MDp Premium Series Membrane Dryers

membrane air dryer with integrated pre-filter

- › Integrated pre-filtration: .01 µm
- › Recommended pre-filtration: 1 or 5 µm
- › Min. ambient air temperature: 34 °F
- › Max. standard operating conditions: 140 °F / 100 psig
- › Max. optional operating conditions: 120 °F / 180 psig



DRYPOINT® MDp	MDp 2	MDp 4	MDp 6	MDp 8	MDp 10	MDp 12	MDp 17
Connection Size (NPT)	¼"	¼"	¼"	¼"	⅜"	⅜"	⅜"
Inlet Flow Rate (scfm)	2.09	4.18	6.27	8.36	11.34	12.55	16.73

Dimensions and Weight							
A (inches)	10.43	12.40	13.98	16.34	17	19.76	22.19
B (inches)	1.81	1.81	1.81	1.81	2.95	2.95	2.95
C (inches)	1.06	1.06	1.06	1.06	1.10	1.10	1.10
D (inches)	ø1.77	ø1.77	ø1.77	ø1.77	-	-	-
Weight (lbs)	1.74	1.92	2.07	2.07	4.13	4.63	5.07

DRYPOINT® MDp	MDp 25	MDp 35	MDp 45	MDp 55	MDp 65	MDp 100	MDp 130
Connection Size (NPT)	¼"	¼"	¼"	¼"	½"	½"	½"
Inlet Flow Rate (scfm)	25.09	33.46	43.29	55.89	67.21	100.77	134.35

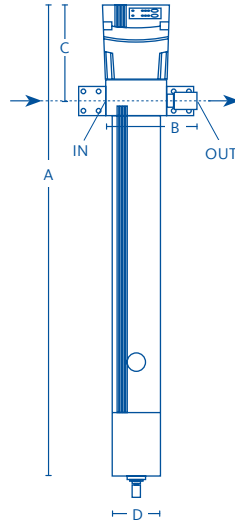
Dimensions and Weight							
A (inches)	22.57	24.59	27.35	29.98	31.30	36.80	42.75
B (inches)	3.94	3.94	3.94	3.94	5.74	5.74	5.74
C (inches)	1.34	1.34	1.34	1.34	1.89	1.89	1.89
D (inches)	-	-	-	-	-	-	-
Weight (lbs)	7.72	9.03	9.04	9.75	20.00	22.44	24.86

Technical Details

DRYPOINT® MDi ecoIntelligent Series Membrane Dryers

membrane air dryer with adjustable pressure dew point control

- › Integrated pre-filtration: .01 µm
- › Electrical power required: 115-230 VAC / 50-60 Hz
- › Min. ambient air temperature: 34 °F
- › Max. operating temperature: 122 °F
- › Max. operating pressure: 145 psig



DRYPOINT® MDi	MDi 12	MDi 17	MDi 25	MDi 35	MDi 45	MDi 55	MDi 65	MDi 100	MDi 130
Connection Size (NPT)	3/8"	3/8"	3/4"	3/4"	3/4"	3/4"	1"	1"	1"
Inlet Flow Rate (scfm)	12.55	16.73	25.09	33.46	43.01	52.63	64.13	95.84	128.25
Dimensions and Weight									
A (inches)	24.44	26.81	27.20	29.17	31.93	34.69	35.87	41.38	47.28
B (inches)	5.90	5.90	7.06	7.06	7.06	7.06	9.84	9.84	9.84
C (inches)	5.67	5.67	5.90	5.90	5.90	5.9	6.46	6.46	6.46
D (inches)	2.36	2.36	3.14	3.14	3.14	3.14	4.92	4.92	4.92
Weight (lbs)	7.50	7.93	10.80	11.46	12.13	12.79	24.03	26.46	28.88

Inlet Pressure Dew Point (PDP)	
40 °F	with refrigerant drying
100 °F	without refrigerant drying

Desired Outlet PDP Result Based on Nearest Inlet PDP Parameter			
26 °F	0 °F	-30 °F	-40 °F
70 °F	35 °F	-4 °F	-20 °F

Model Selector	Flow Rate (scfm)							
	Inlet	Outlet	Inlet	Outlet	Inlet	Outlet	Inlet	Outlet
MDi 12	12.55	11.50	6.20	5.15	4.31	3.26	3.89	2.84
MDi 17	16.73	15.33	8.25	6.85	5.75	4.35	5.14	3.74
MDi 25	25.09	23.00	12.41	10.31	8.63	6.53	7.86	5.76
MDi 35	33.46	30.66	16.53	13.74	11.50	8.70	10.38	7.58
MDi 45	43.01	38.99	23.70	19.68	16.49	12.47	14.52	10.50
MDi 55	52.63	47.90	27.50	22.78	19.38	14.66	16.94	12.22
MDi 65	64.13	58.36	33.11	27.34	23.49	17.72	20.99	15.19
MDi 100	95.84	87.10	50.53	41.79	35.69	26.95	32.09	23.39
MDi 130	128.25	116.72	66.98	55.45	47.40	35.86	43.15	31.65

Flow rate values and performance values are based on having the DRYPOINT® MDi in the constant mode. Outlet pressure dew point settings are user adjustable and will alter the flow rate at the outlet of the membrane dryer based on the adjustment made.

Operating Pressure (psig)	40	50	60	70	80	90	100	110	120	130	140
Correction Factor	0.22	0.32	0.42	0.54	0.68	0.83	1.00	1.13	1.26	1.40	1.55

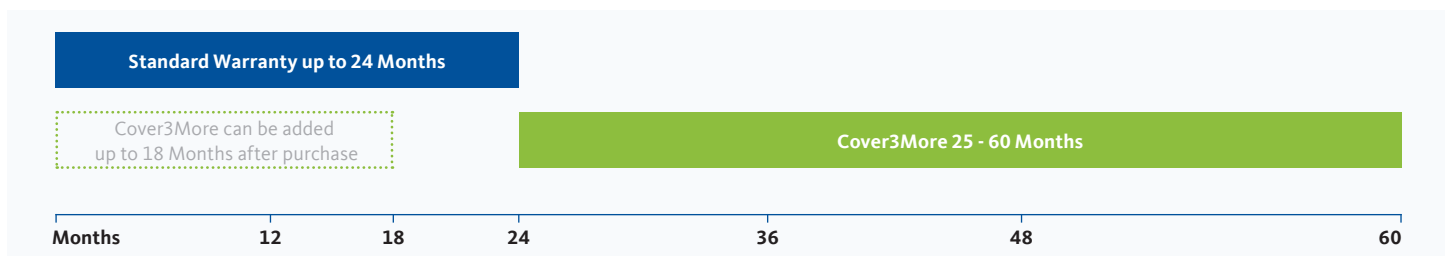


Cover3More Extended Warranty Program

+3
Years on all
Products

ask your
**sales
representative**
for complete details
and extend your full
warranty today

At a Glance



Cover3More is available on all our product lines			
DRYPOINT® RA	Refrigerant Air Dryers	BEKOMAT®	Zero Air Loss Drains
DRYPOINT® X / AC	Desiccant Air Dryers	QWIK-PURE®/ÖWAMAT®	Oil-water Separators
DRYPOINT® M	Membrane Air Dryers	METPOINT®	Instrumentation
CLEARPOINT®	Filters and Water Separators	BEKOKAT®	Hydrocarbon Removal Systems

How it Works

1. Select the product or products that you wish to cover with the extended warranty.
2. Simply add 8% to the net price of each product or call your sales representative if you need help calculating your final net price.
3. Include this information as a line item with your purchase order or purchase the warranty extension up to 18-months post-sale.

What we need from you: It's not much. In fact, if you are purchasing the Cover3More extended warranty with a new equipment purchase, all you have to do is include a line item on your order indicating which items you wish you cover, and we will take care of the rest. If you happen to be adding coverage to a product you've already taken delivery of, then all we need is the company name and contact information of the original purchaser, the product model number of the product to be covered, serial number, and original purchase order number or BEKO Technologies invoice number, and we will apply coverage appropriately. **Please feel free to contact us at +1 (800) 235-6797 to get started.**

All maintenance procedures, including filter element changes, must be carried out in accordance with the manual in order to maintain any warranty.

Cover3More Extended Warranty Program

■ Compare

We give you more: In addition to a robust, standard 2-year warranty on BEKO Technologies products, we offer our customers the option of extending the standard warranty even further with the **Cover3More** program – a low cost, all-encompassing, and simple warranty extension program.

- › Extends the standard factory warranty for an additional 3-years
- › May be purchased at any time up to 18-months post-sale
- › No hassle and easy to calculate without any hidden costs

Secure your future with a minimal investment. The **Cover3More** extended warranty program from BEKO Technologies ensures that your investment is covered for a total of 5-years at a nominal cost.

- › 2-year standard warranty covers parts and labor
- › 3-year extended warranty covers parts only, no parts restrictions
- › Significantly reduces your risk of having unexpected costs

Reliability you can count on: With the Cover3More extended warranty program, BEKO Technologies not only lengthens the standard warranty period by 3-years from the installation date, but also draws on the company's vast compressed air industry experience to quickly resolve any product problems you may experience in the least disruptive way possible, thereby keeping downtime to an absolute minimum. Should a repair be required, it will be handled by qualified, authorized personnel, and only original parts will be used.

What's in the fine print: The optional 36-month warranty extension (i.e. Cover3More) is a limited extended warranty that covers parts only from months 25-60.

However, all of the aforementioned installation, performance, and quality requirements must still be met in order to maintain extended warranty coverage. Failure to do so will render all warranties null and void.

The limited extended warranty coverage may be purchased and applied to any of the BEKO Technologies product lines included in the scope of the Cover3More extended warranty program from the original date of purchase from BEKO Technologies to 18-months thereafter.

Extended warranty coverage may not be purchased during the final 6-months of the standard warranty coverage, which are months 19-24 from the date of shipment or at BEKO Technologies' discretion, the date of installation.

The purchase price of the Cover3More limited extended warranty is not prorated and the current published purchase price is always applied.

Should the extended warranty coverage be purchased post-delivery or post-sale, then the serial number of all products to which the warranty shall be extended must be provided to BEKO Technologies at the time of purchase of the extended warranty.



Reliable | Efficient | Innovative

What can we do for you?



BEKO TECHNOLOGIES CORP.
900 Great Southwest Pkwy SW
Atlanta, GA 30336
USA
Phone +1 (404) 924-6900
www.bekousa.com

