

Refrigerating air dryer

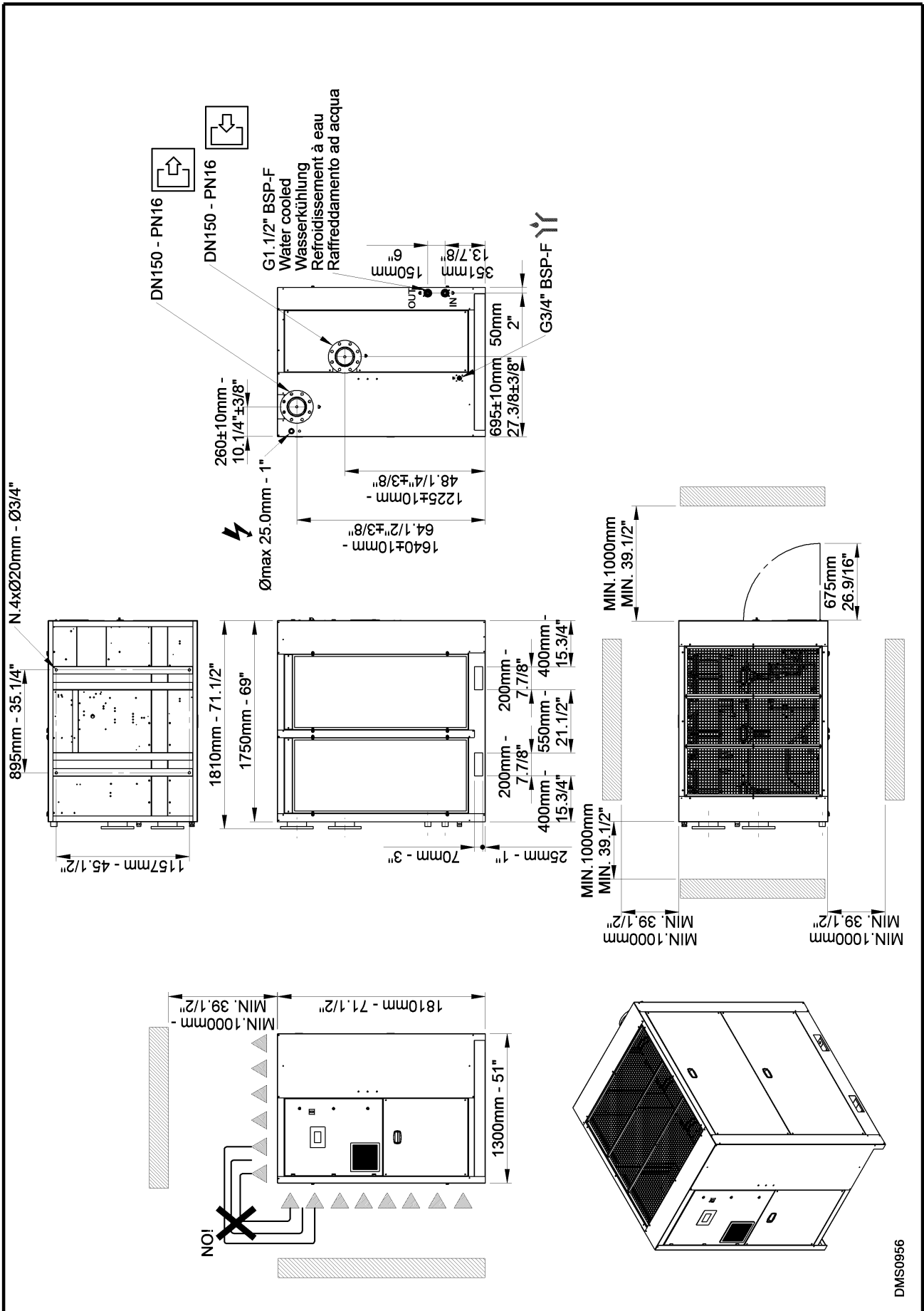
**ACT VS
3000 - 6000**

Air – water cooled

Attachments

14.1 Dryers dimensions

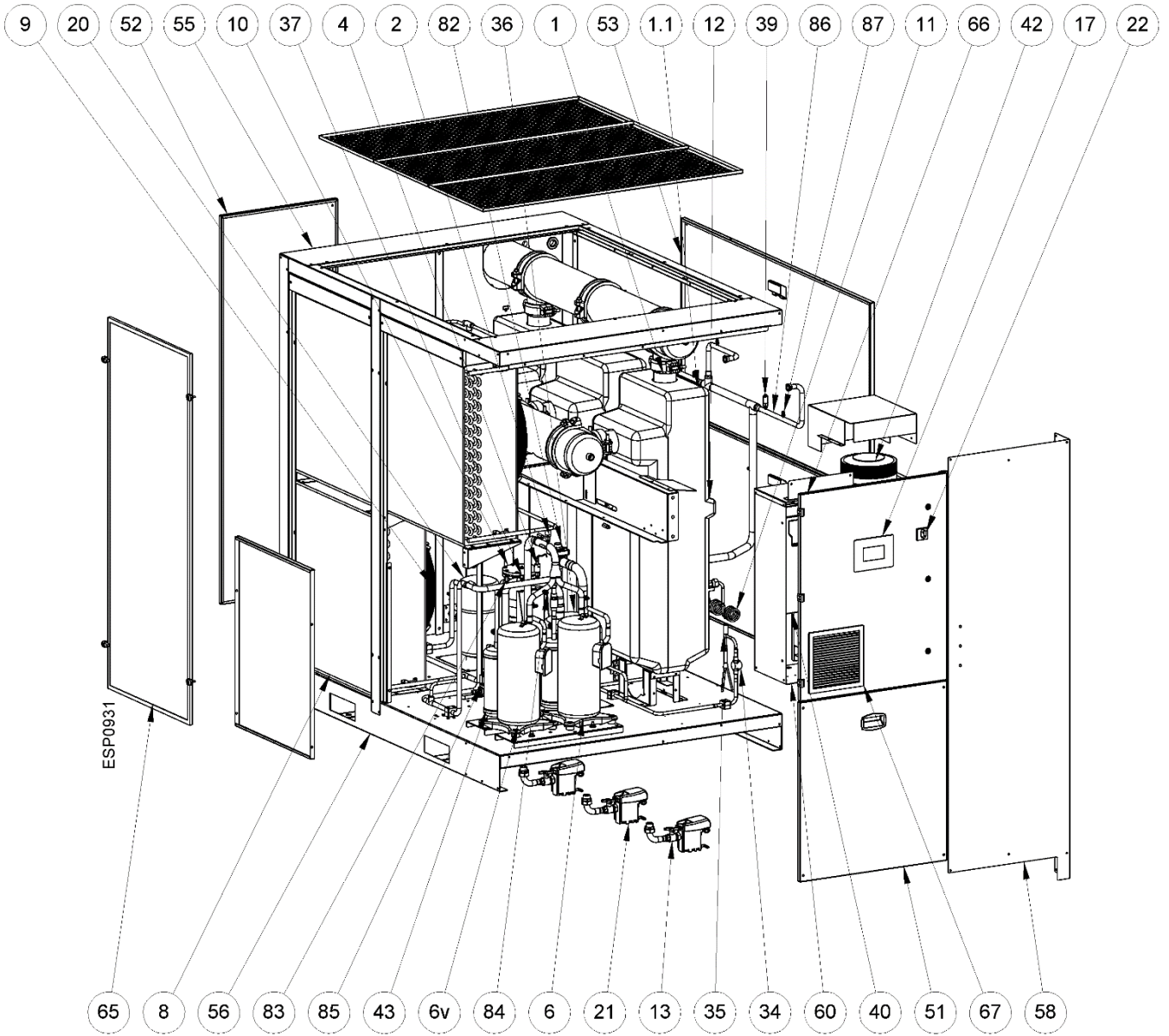
14.1.1 ACT VS 3000 – 3750



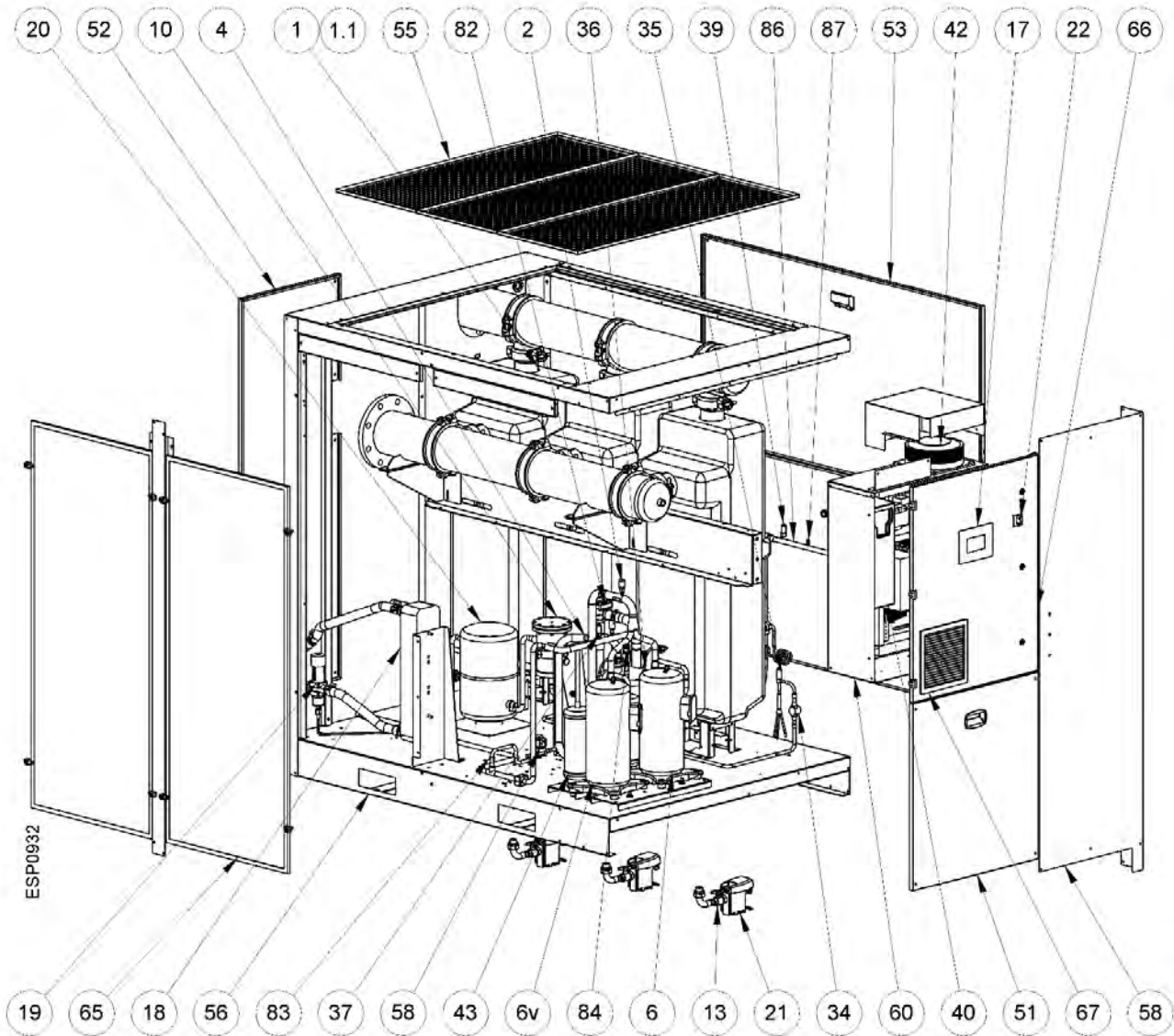
DMS0956

14.2 Exploded views

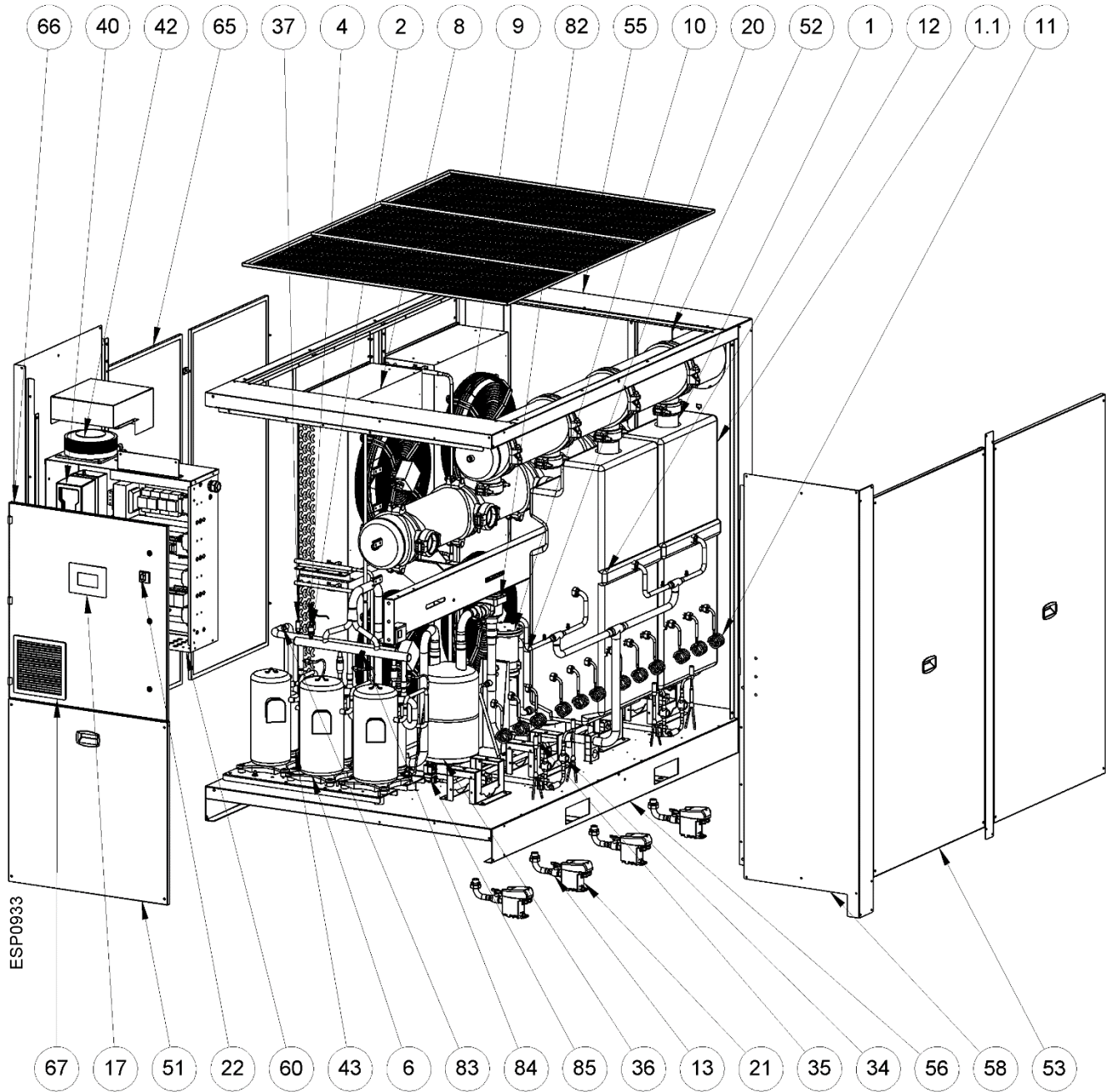
14.2.1 ACT VS 3000 – 3750 Air Cooled



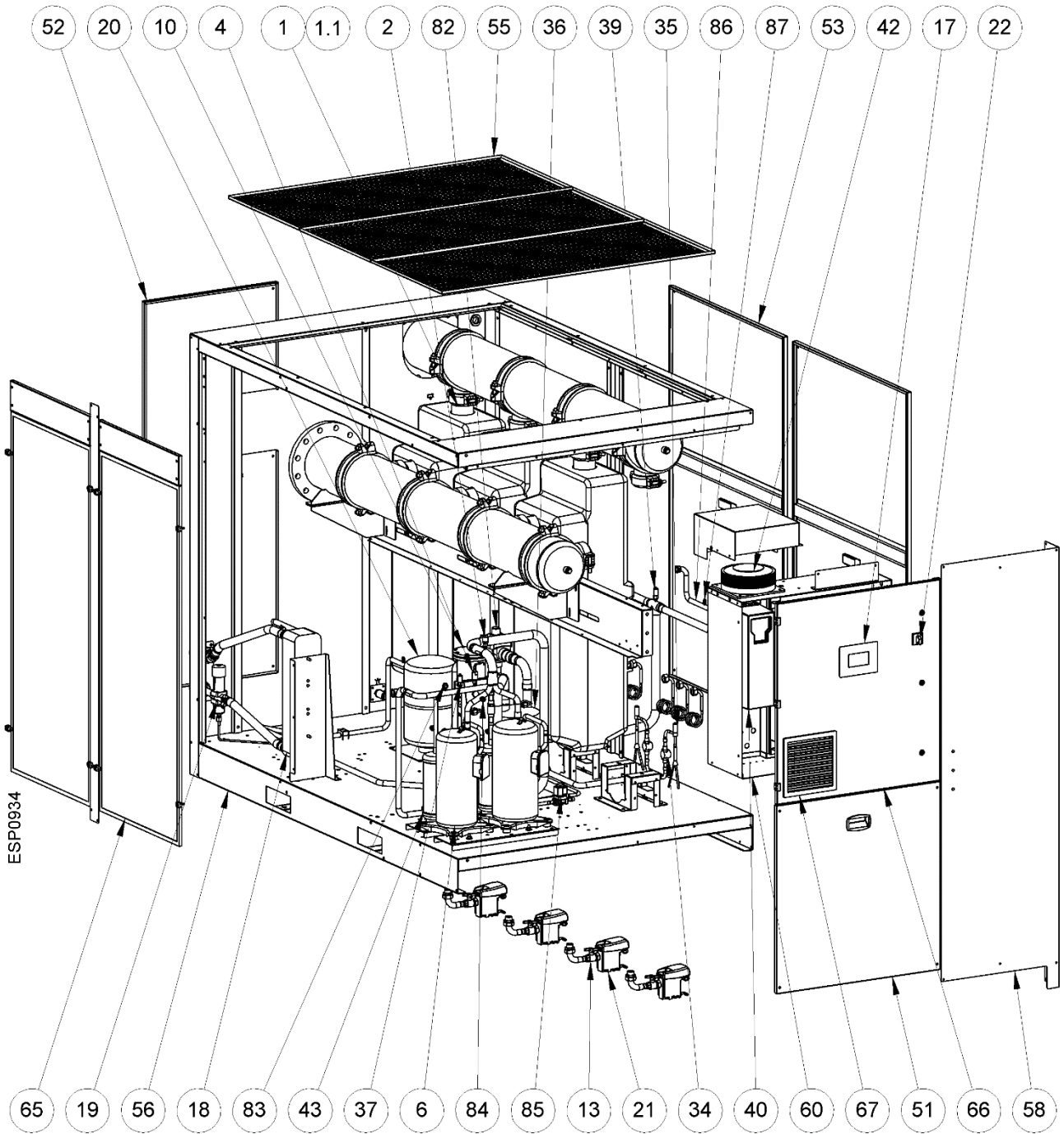
14.2.2 ACT VS 3000 – 3750 Water Cooled



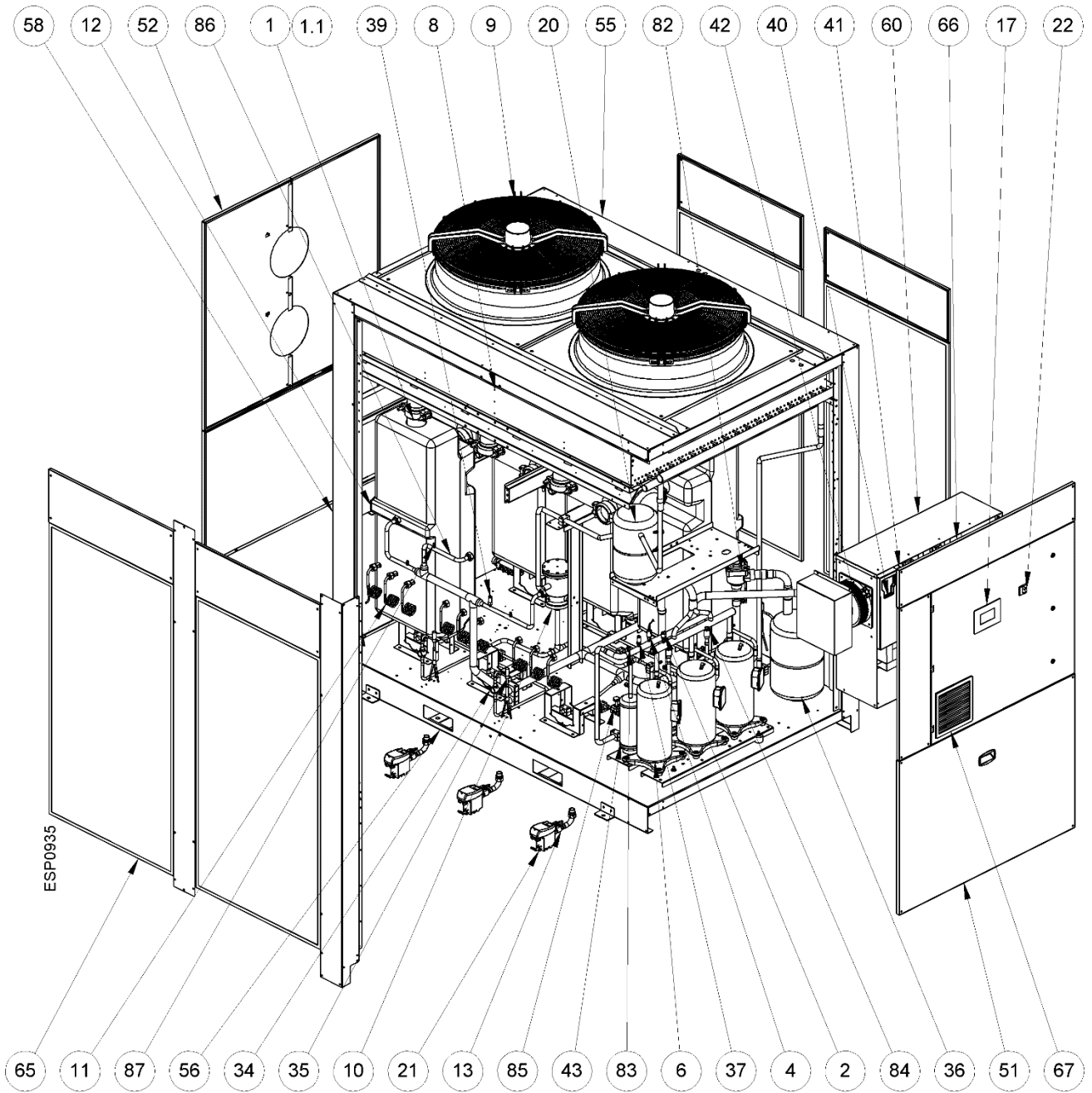
14.2.3 ACT VS 4000 – 5000 Air Cooled



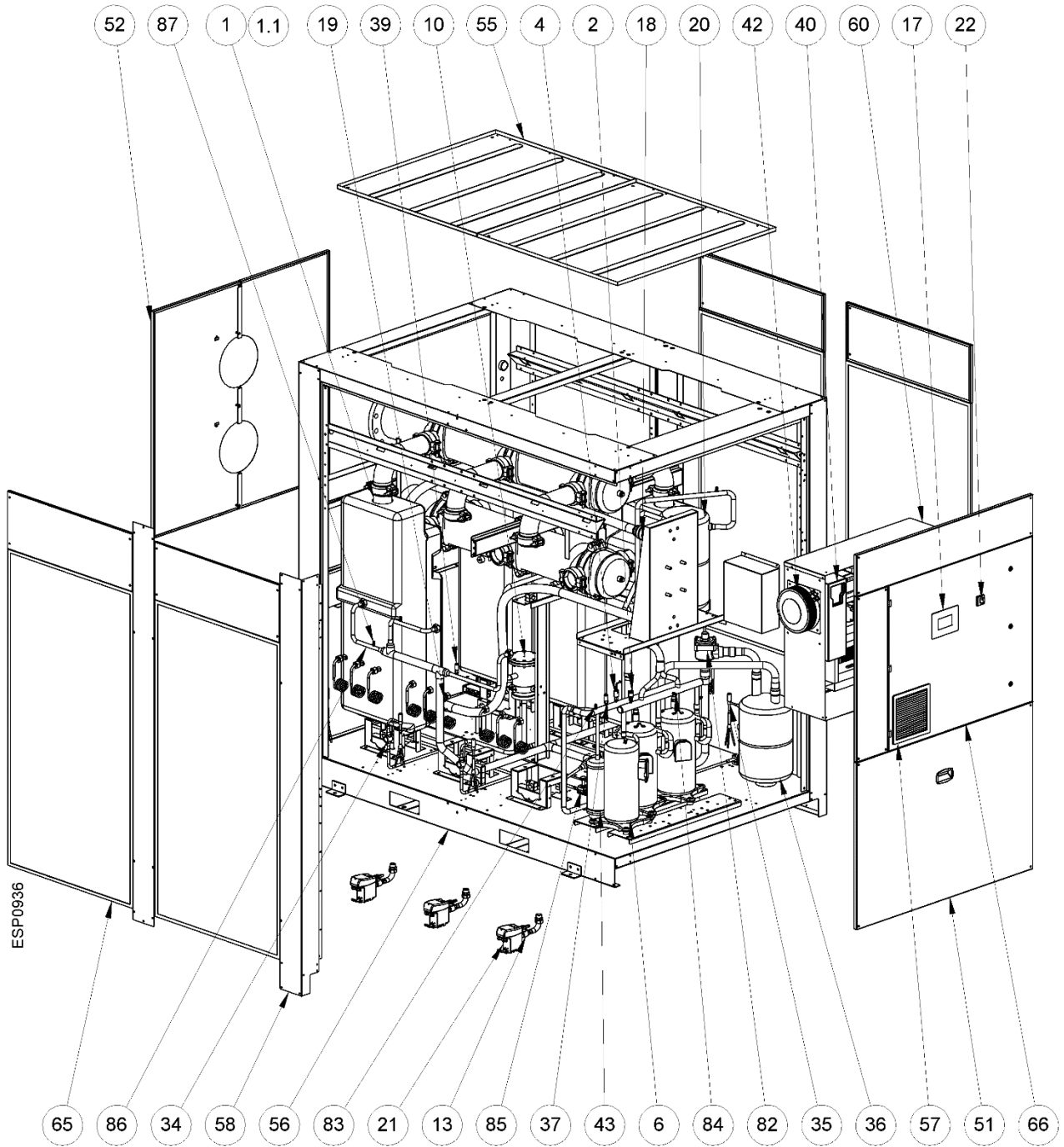
14.2.4 ACT VS 4000 – 5000 Water Cooled



14.2.5 ACT VS 6000 Air-Cooled

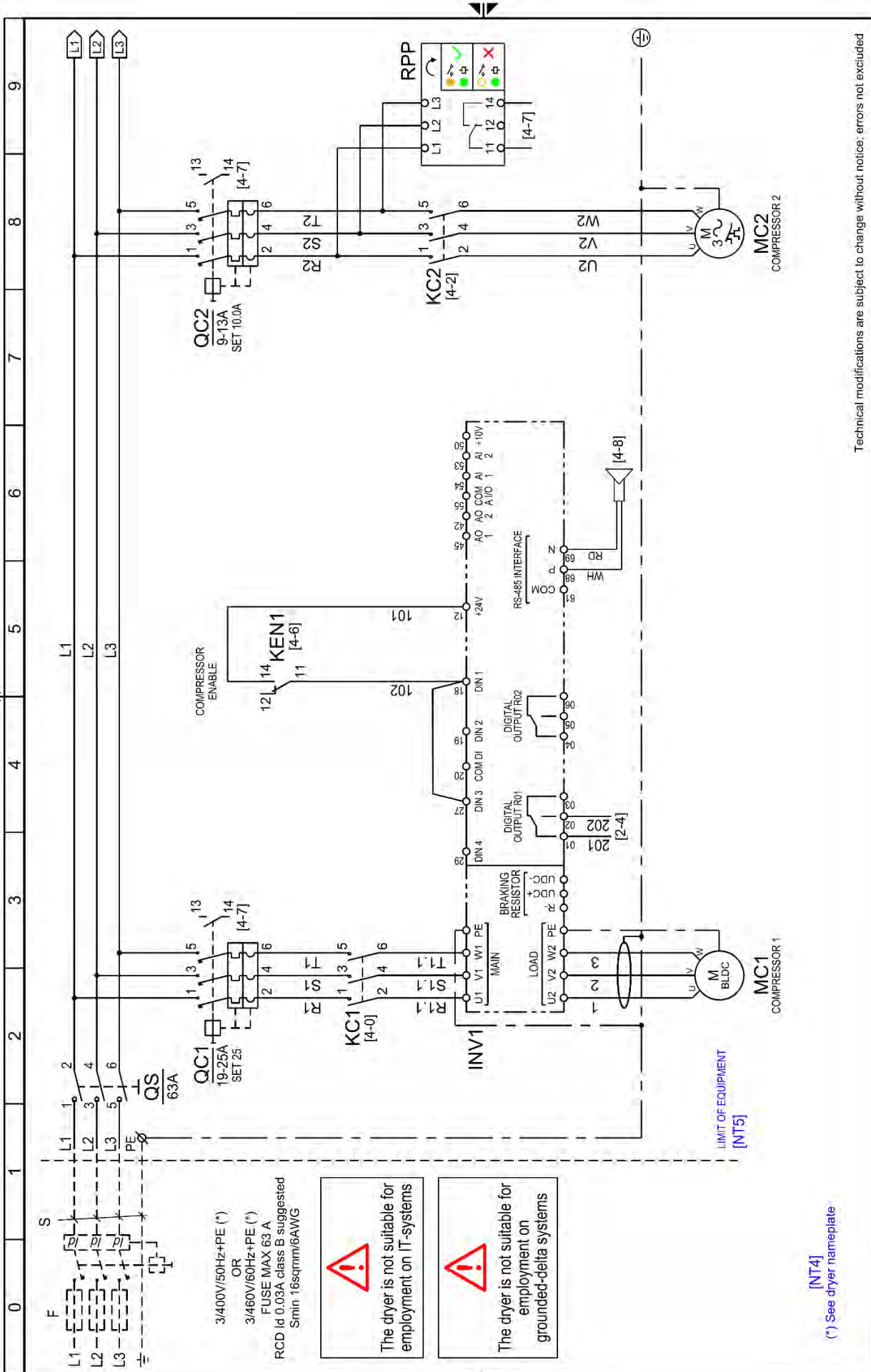


14.2.6 ACT VS 6000 Water-Cooled



14.3 Electric diagrams

14.3.1 ACT VS 3000 – 3750



3/400V/50Hz+PE (*)
OR
3/460V/60Hz+PE (*)
FUSE MAX 63 A
RCD Id 0.03A class B suggested
Smin 16sqmm/6AWG

!
The dryer is not suitable for employment on IT-systems

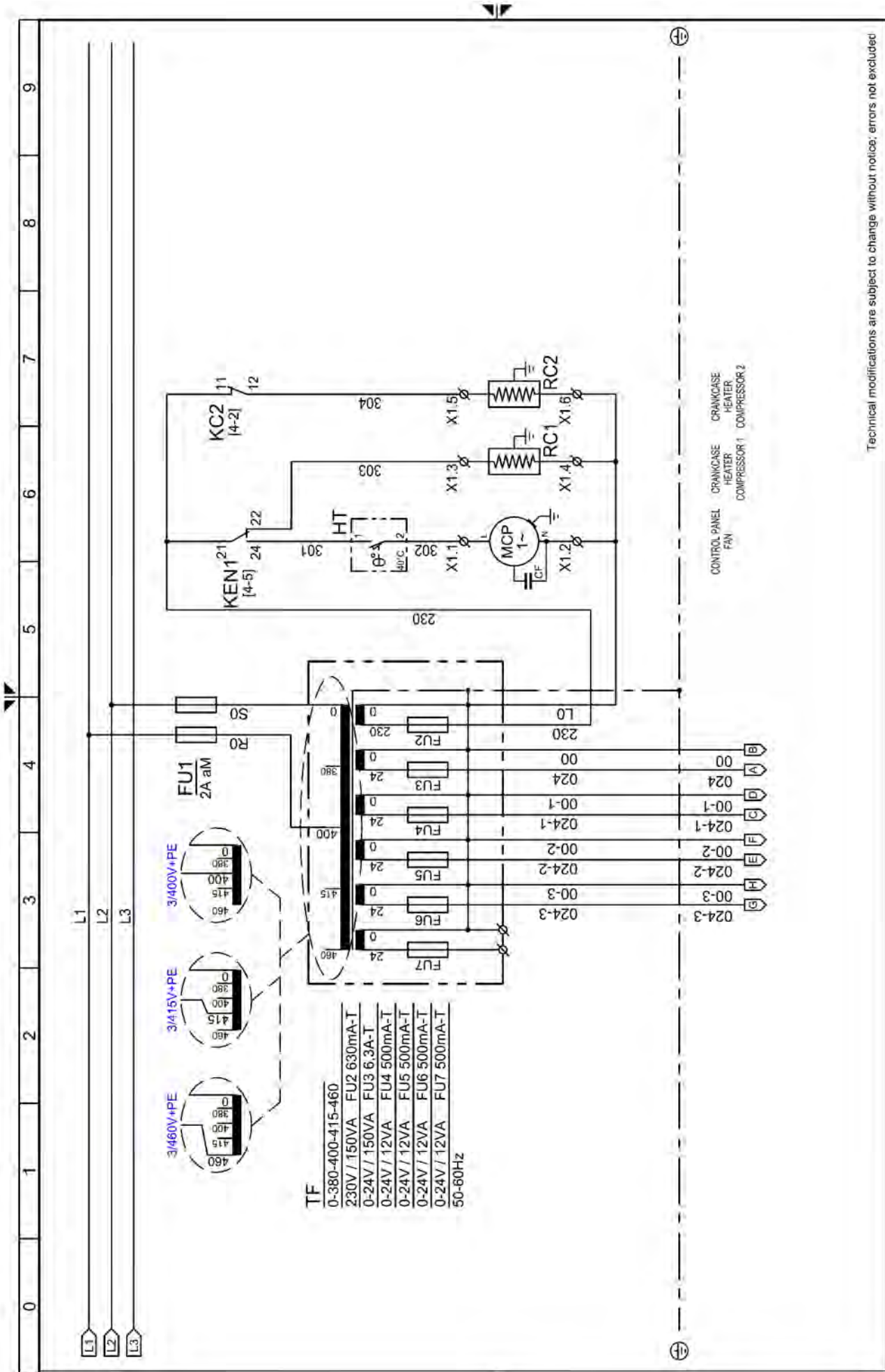
!
The dryer is not suitable for employment on grounded-delta systems

[NT4]
(*) See dryer nameplate

Technical modifications are subject to change without notice; errors not excluded

Drawing no. : **WD5478QC053_V00**
Rev. **00**
Note :
Sheet **01** of **09**

14.3.1 ACT VS 3000 – 3750



Technical modifications are subject to change without notice; errors not excluded

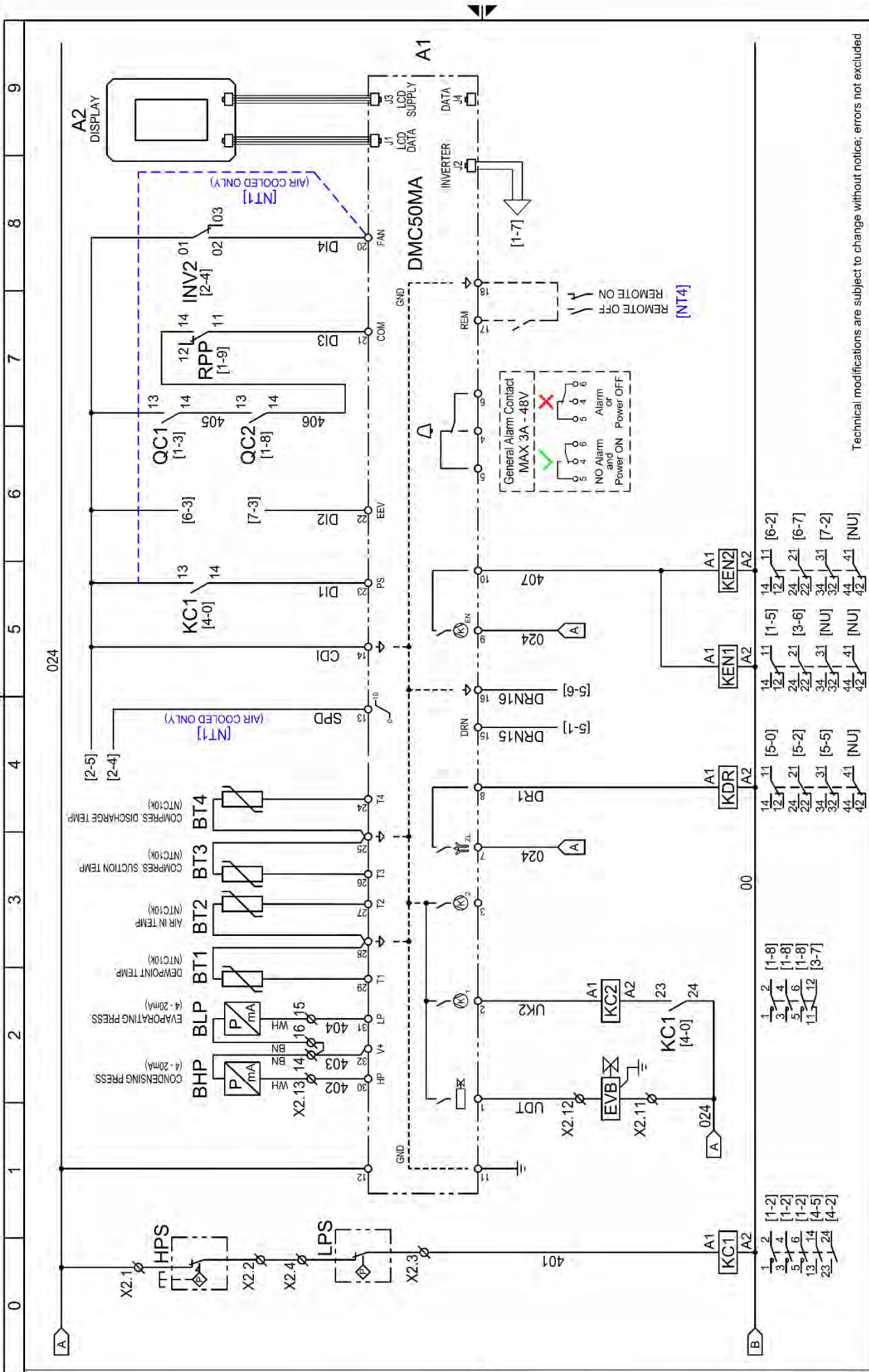
Drawing no. : WD5478QCD053_V00

Rev. 00

Note : -

Sheet 03 of 09

14.3.1 ACT VS 3000 - 3750

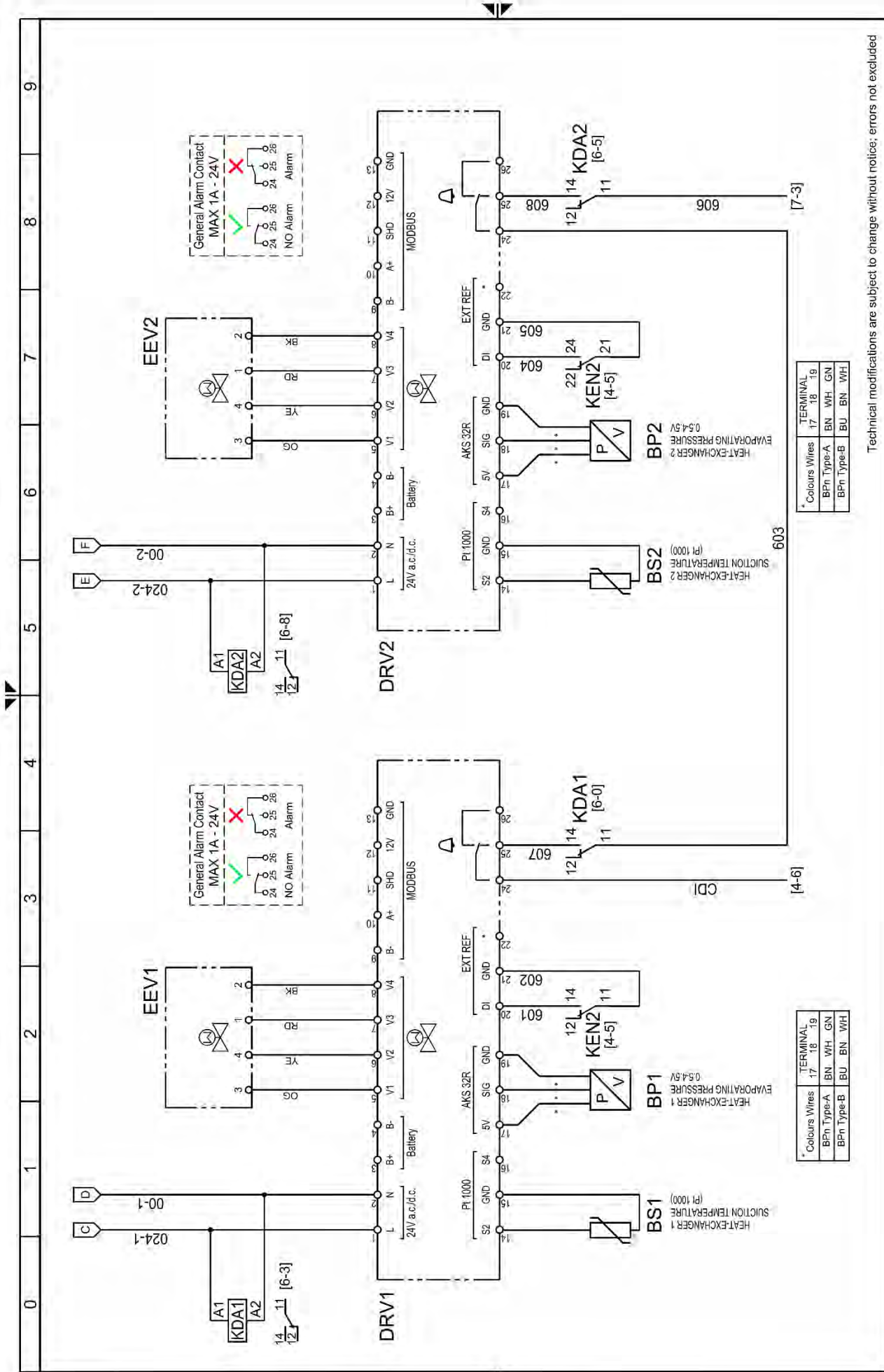


Technical modifications are subject to change without notice; errors not excluded

Drawing no.: **WD5478QCD053_V00**
 Rev.: **00**

Note: -
 Sheet **04** of **09**

14.3.1 ACT VS 3000 – 3750



Technical modifications are subject to change without notice; errors not excluded

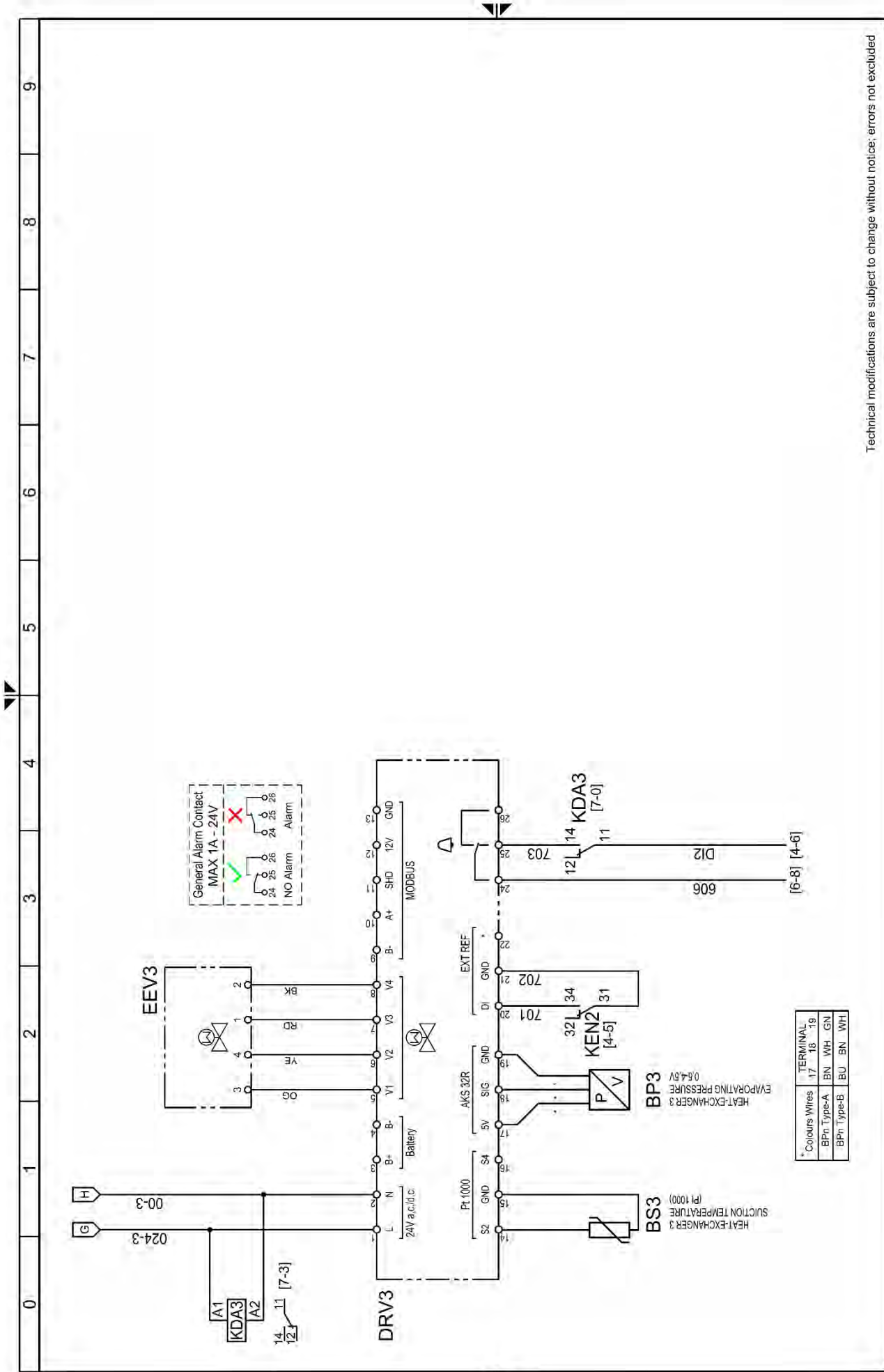
Drawing no. : WD5478QCD053_V00

Rev. 00

Note :

Sheet 06 of 09

14.3.1 ACT VS 3000 – 3750

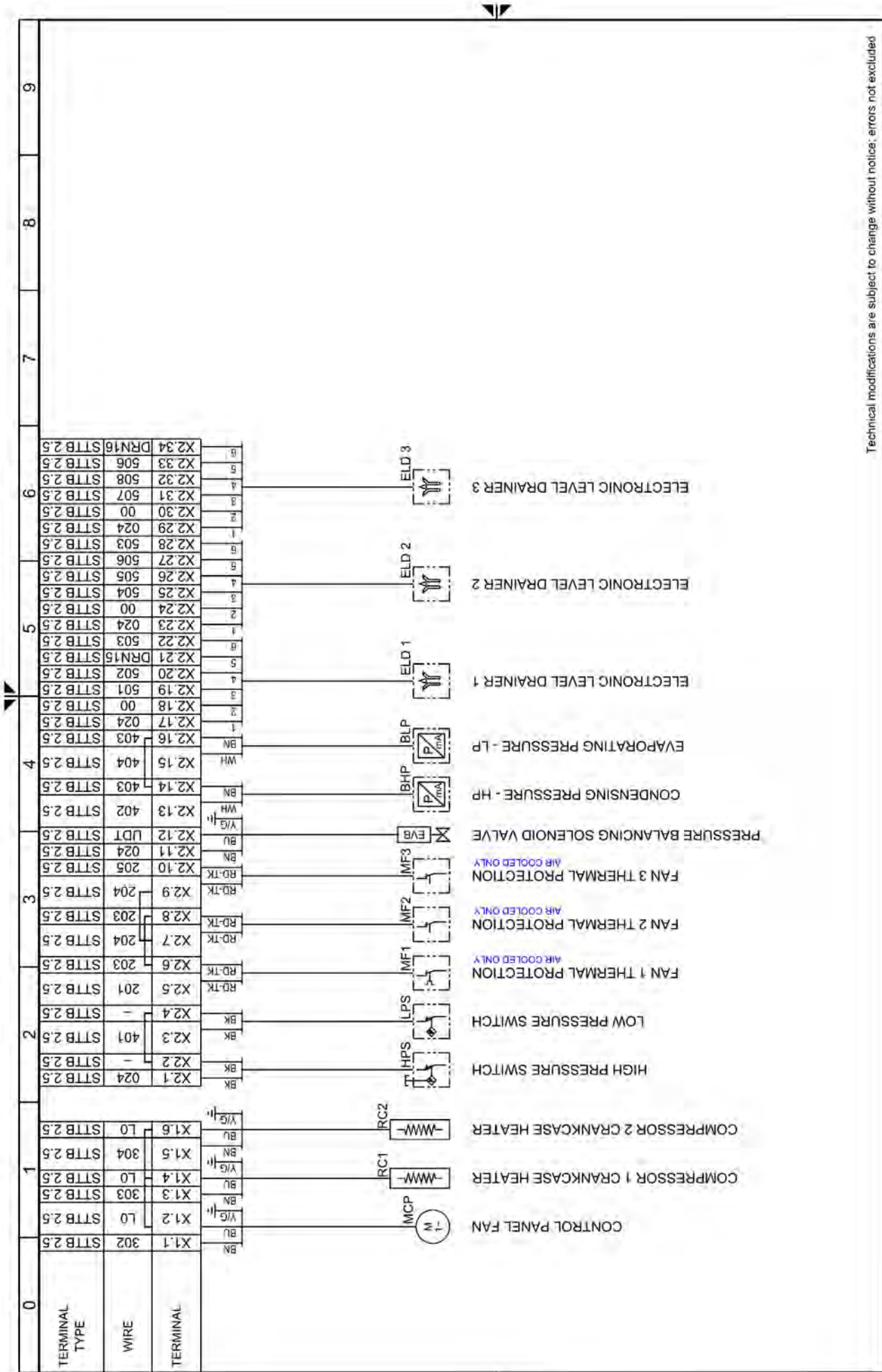


Technical modifications are subject to change without notice; errors not excluded

Drawing no. : **WD5478QCD053_V00** Rev. **00**

Note : **Sheet 07 of 09**

14.3.1 ACT VS 3000 - 3750

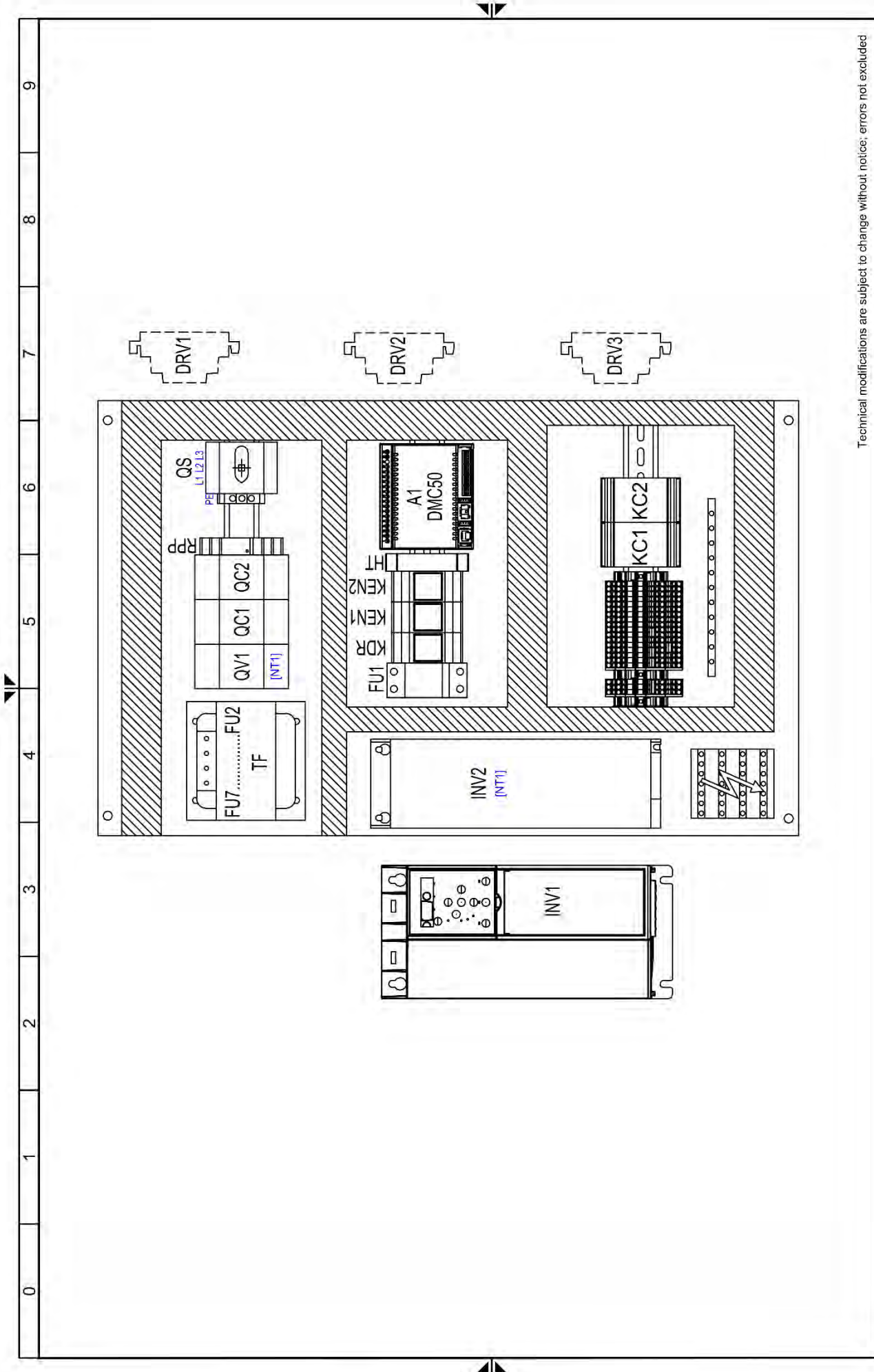


Technical modifications are subject to change without notice; errors not excluded

Drawing no.: **WD5478QCD053_V00**

Rev: **00**
 Note: **08 of 09**

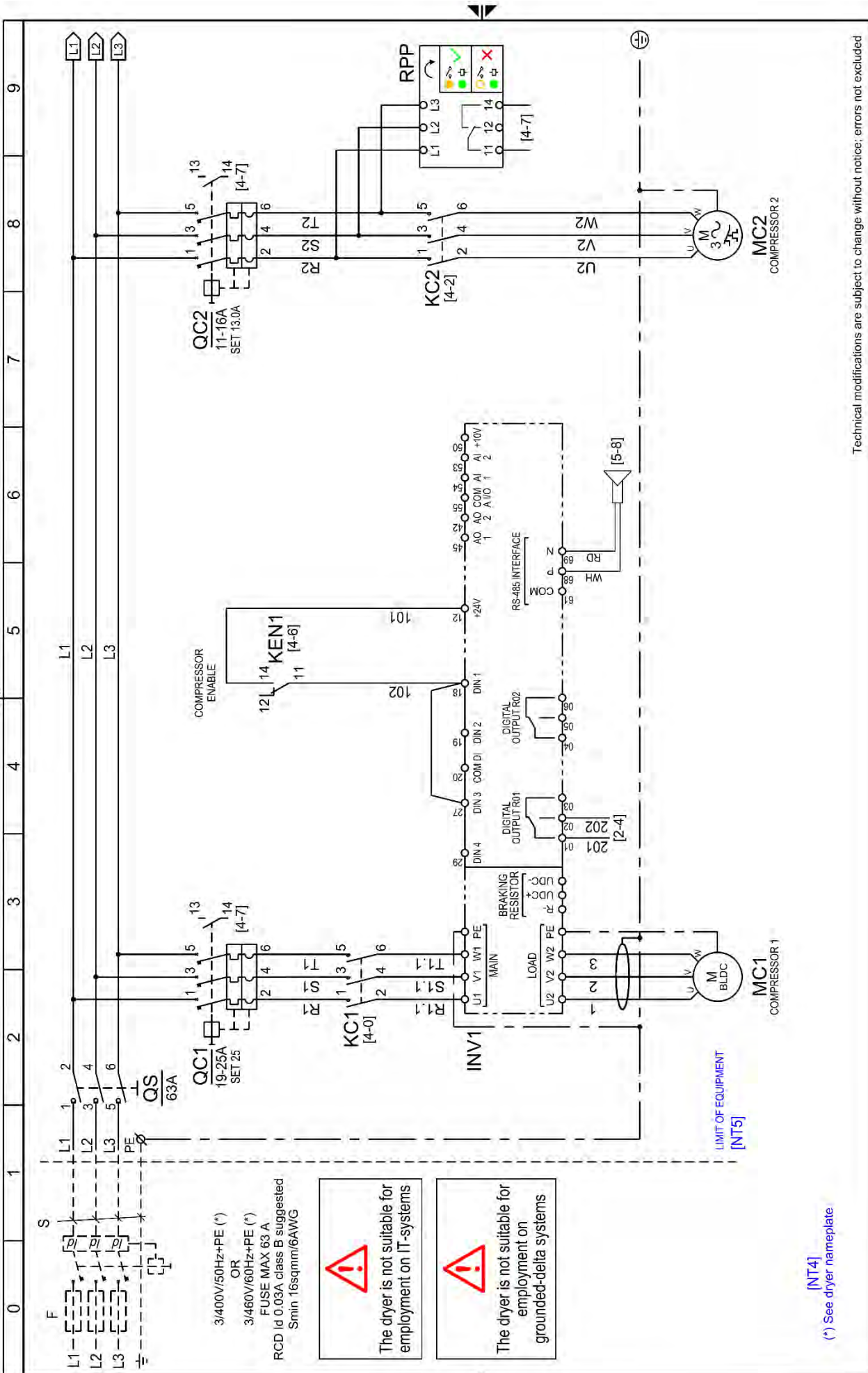
14.3.1 ACT VS 3000 - 3750



Drawing no. : **WD5478QCD053_V00**
 Rev. : **00**

Note :
 Sheet **09** of **09**

14.3.2 ACT VS 4000



3/400V/50Hz+PE (*)
OR
3/460V/60Hz+PE (*)
FUSE MAX 63 A
RCD Id 0.03A class B suggested
Smin 16sqmm/6AWG

⚠
The dryer is not suitable for employment on IT-systems

⚠
The dryer is not suitable for employment on grounded-delta systems

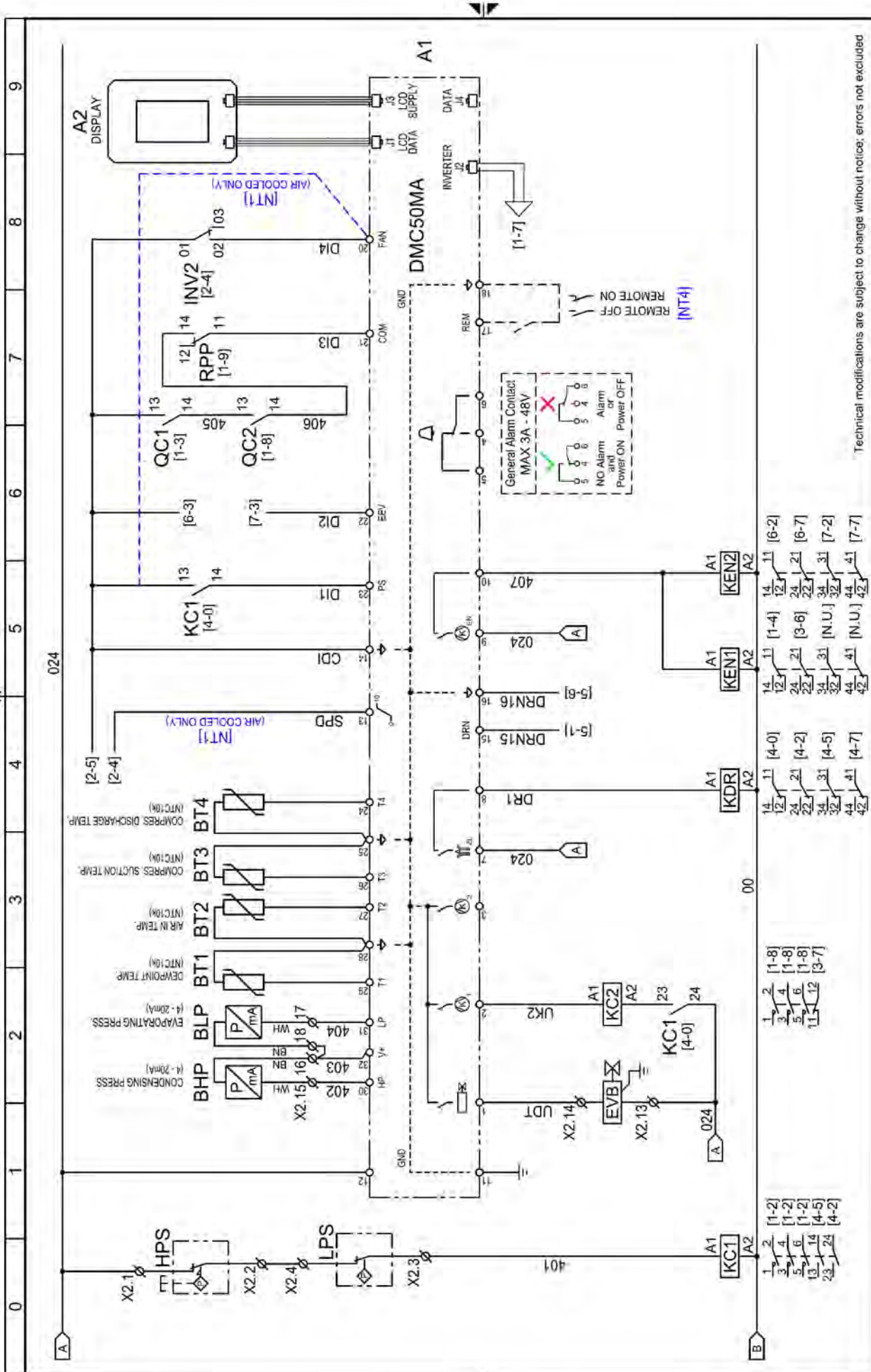
LIMIT OF EQUIPMENT [NT5]

[NT4]
(*) See dryer nameplate

Technical modifications are subject to change without notice; errors not excluded

Drawing no.: **WD5478QCCD054_V00**
Rev. **00**
Note: -
Sheet **01** of **09**

14.3.2 ACT VS 4000

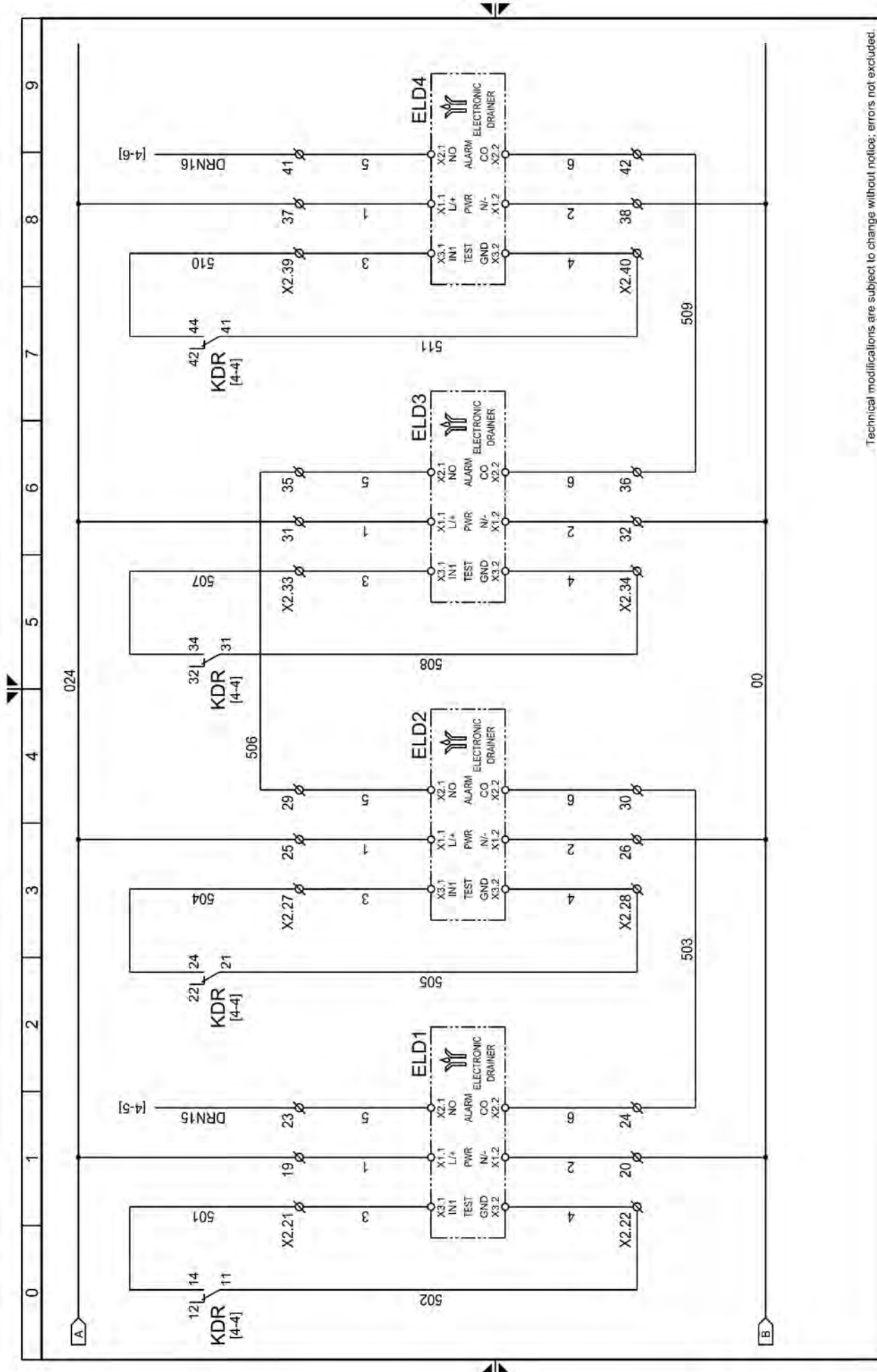


Technical modifications are subject to change without notice; errors not excluded

Rev. 00
 Drawing no. WD5478QCD054_V00
 Note:

Sheet 04 of 09

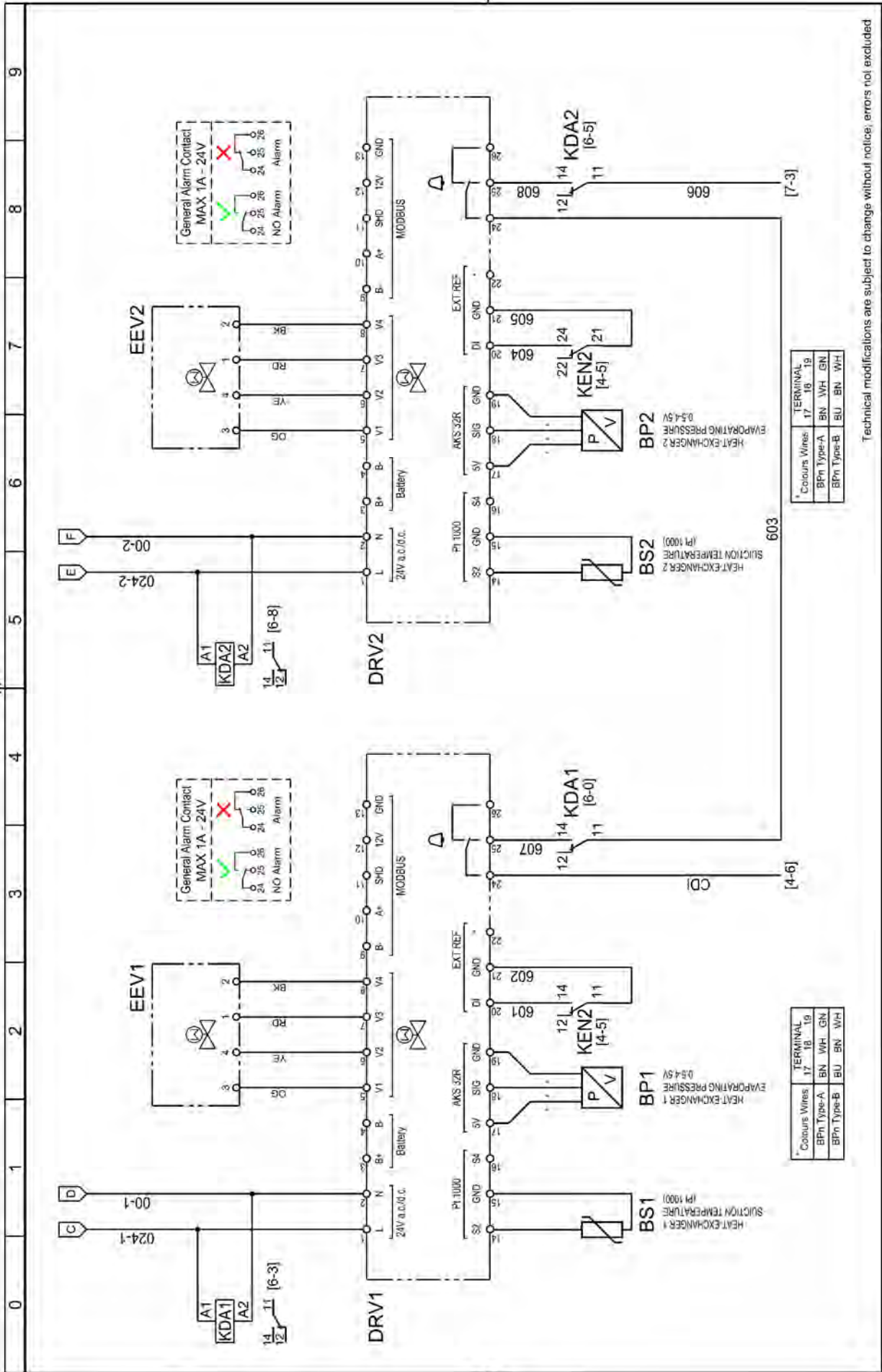
14.3.2 ACT VS 4000



Technical modifications are subject to change without notice; errors not excluded.

Rev. 00
 Drawing no.: WD5478QCD054_V00
 Note: -
 Sheet 05 of 09

14.3.3 ACT VS 4000



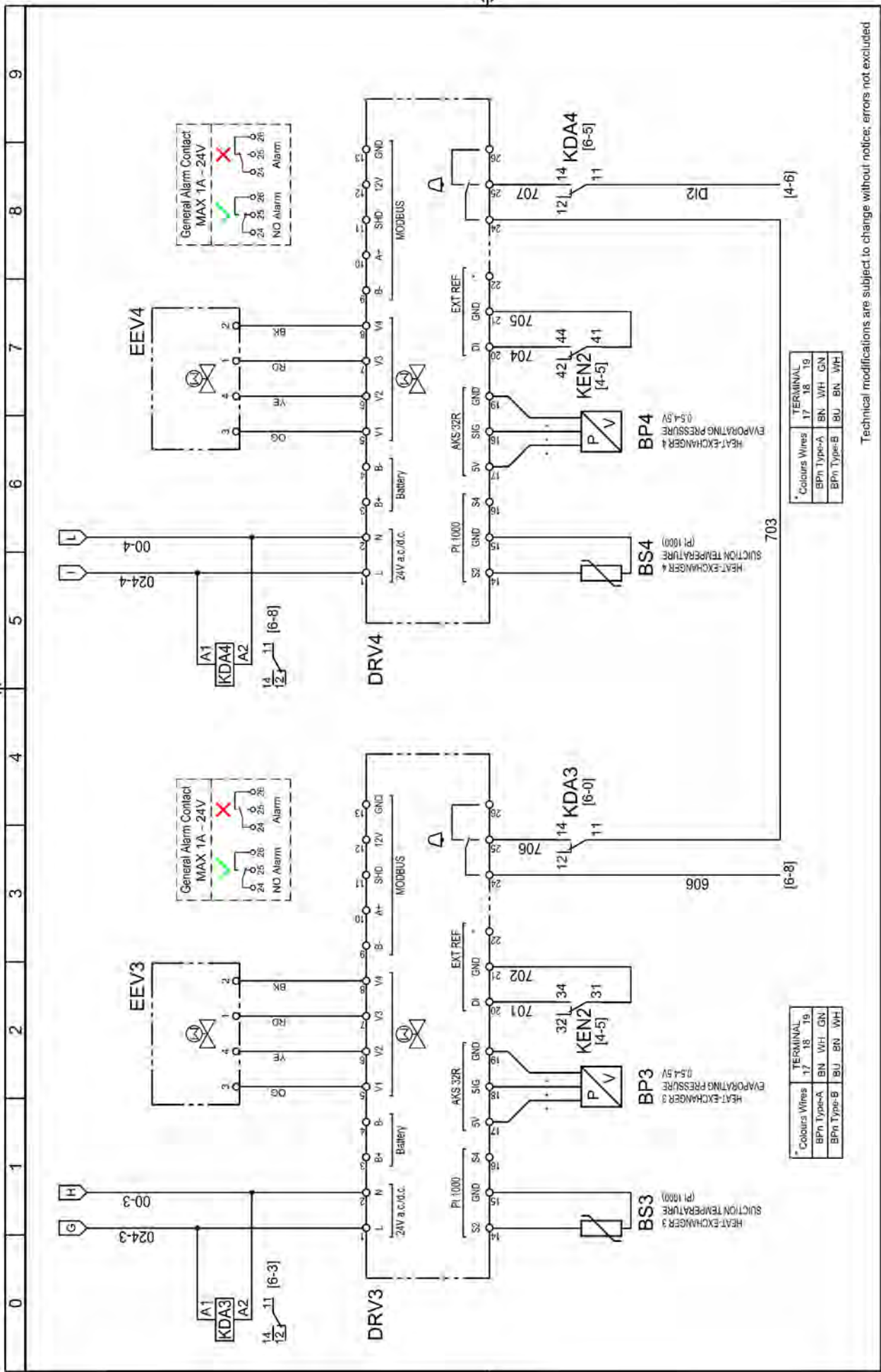
Drawing no.: **WD5478QCD054_V00**

Rev. **00**

Note:

Sheet **06** of **09**

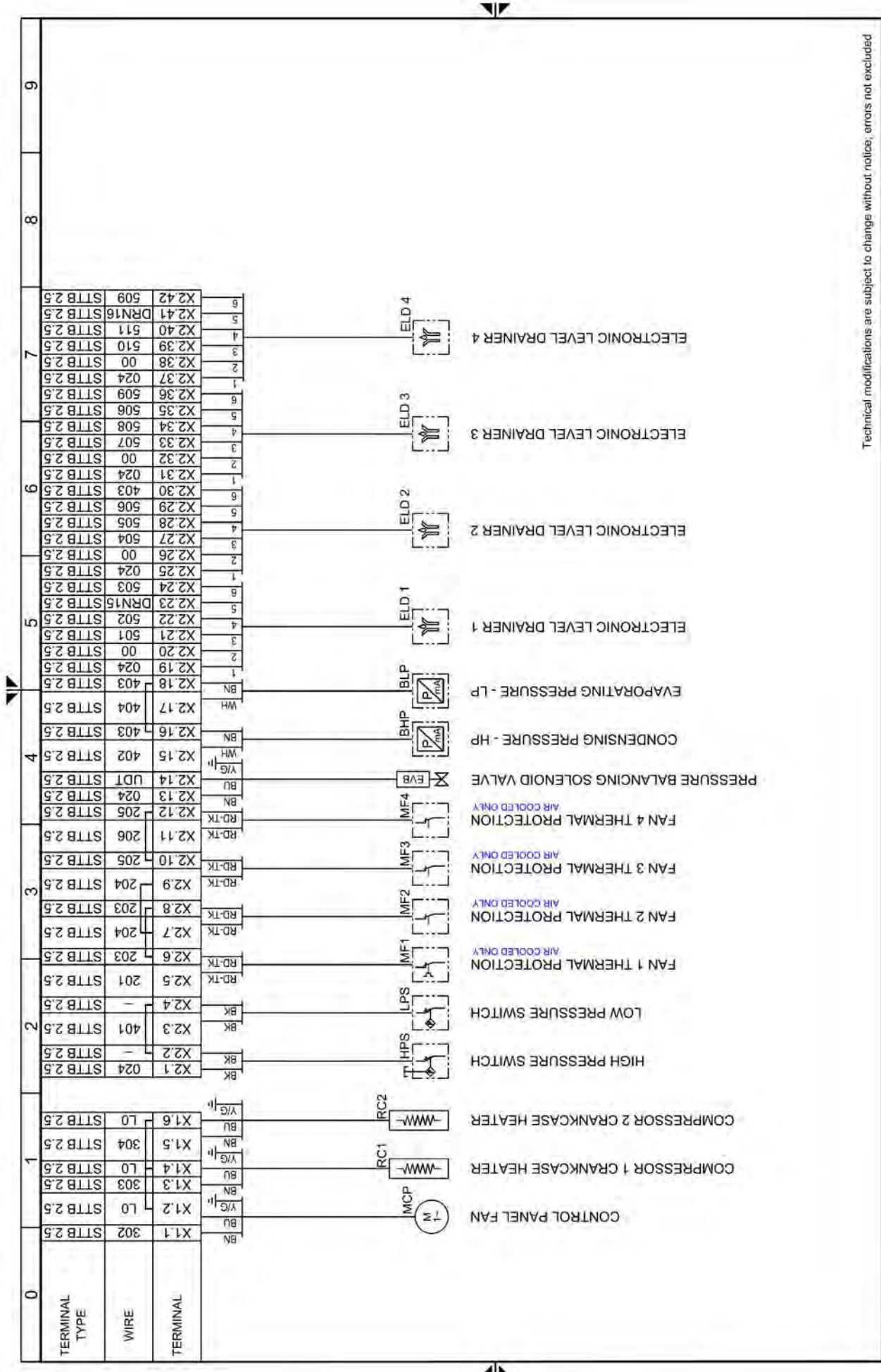
14.3.2 ACT VS 4000



Technical modifications are subject to change without notice; errors not excluded

Drawing no.: **WD5478QCD054_V00**
 Rev: **00**
 Note: **Sheet 07 of 09**

14.3.2 ACT VS 4000



Technical modifications are subject to change without notice, errors not excluded

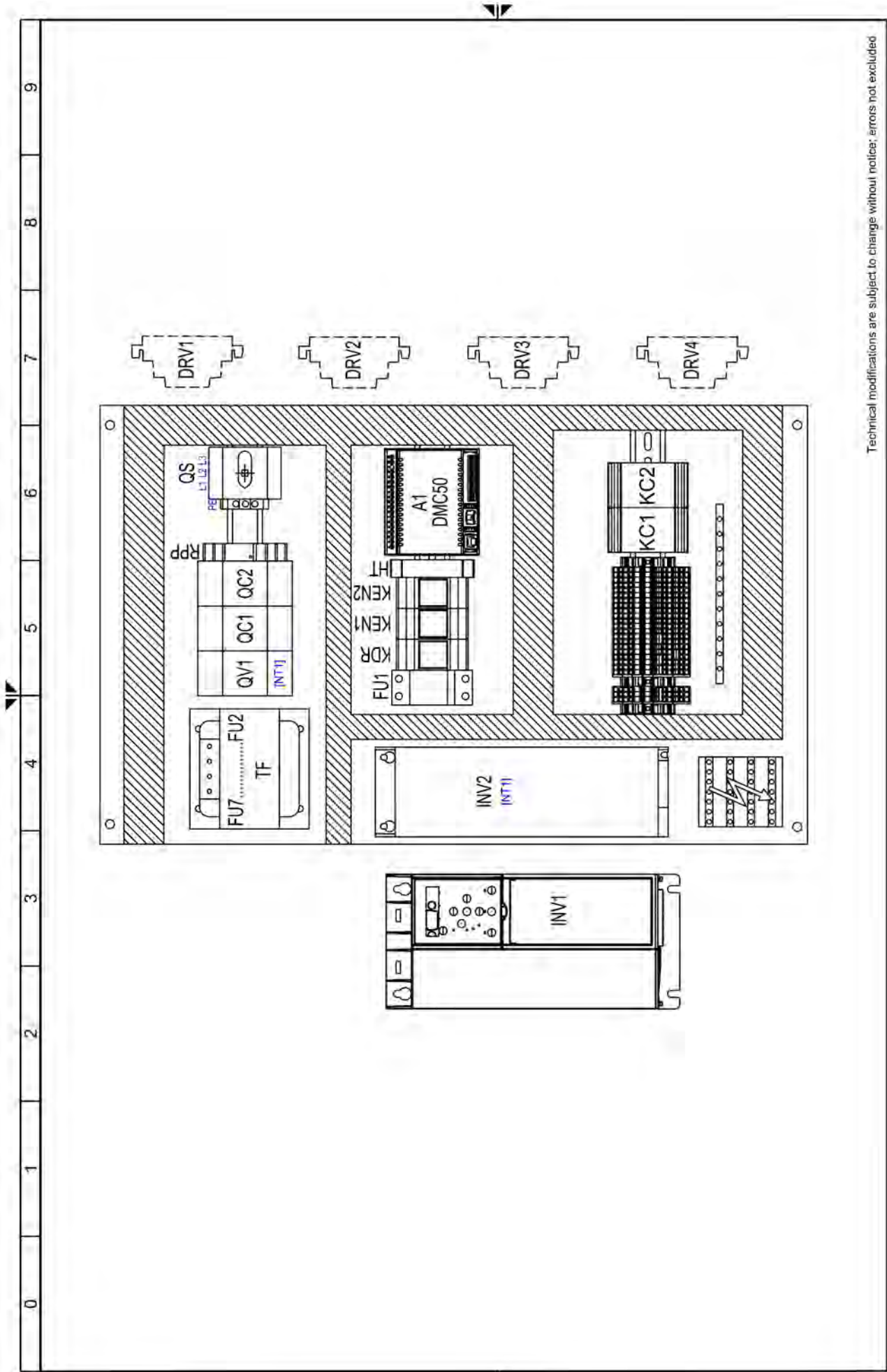
Drawing no. : WD5478QCD054_V00

Rev. 00

Note :

Sheet 08 of 09

14.3.2 ACT VS 4000



Technical modifications are subject to change without notice; errors not excluded

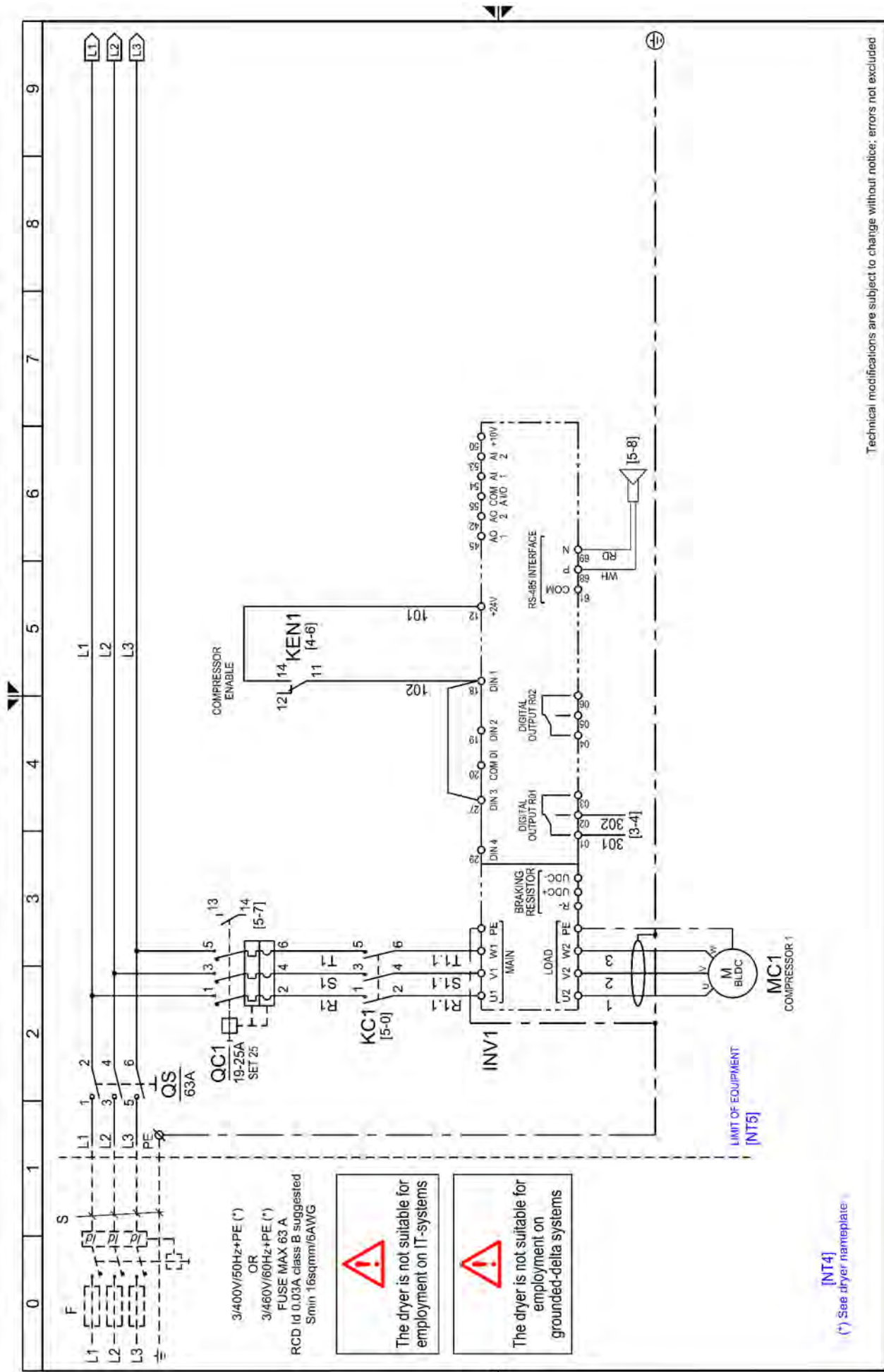
Drawing no.: WD5478QCD054_V00

Rev: 00

Note: -

Sheet 09 of 09

14.3.3 ACT VS 5000



3/400V/50Hz+PE (*)
OR
3/460V/60Hz+PE (*)
FUSE MAX 63 A
RCD Id 0.03A, class B suggested
Smin 16sqmm/6AWG

⚠
The dryer is not suitable for
employment on IT-systems

⚠
The dryer is not suitable for
employment on
grounded-delta systems

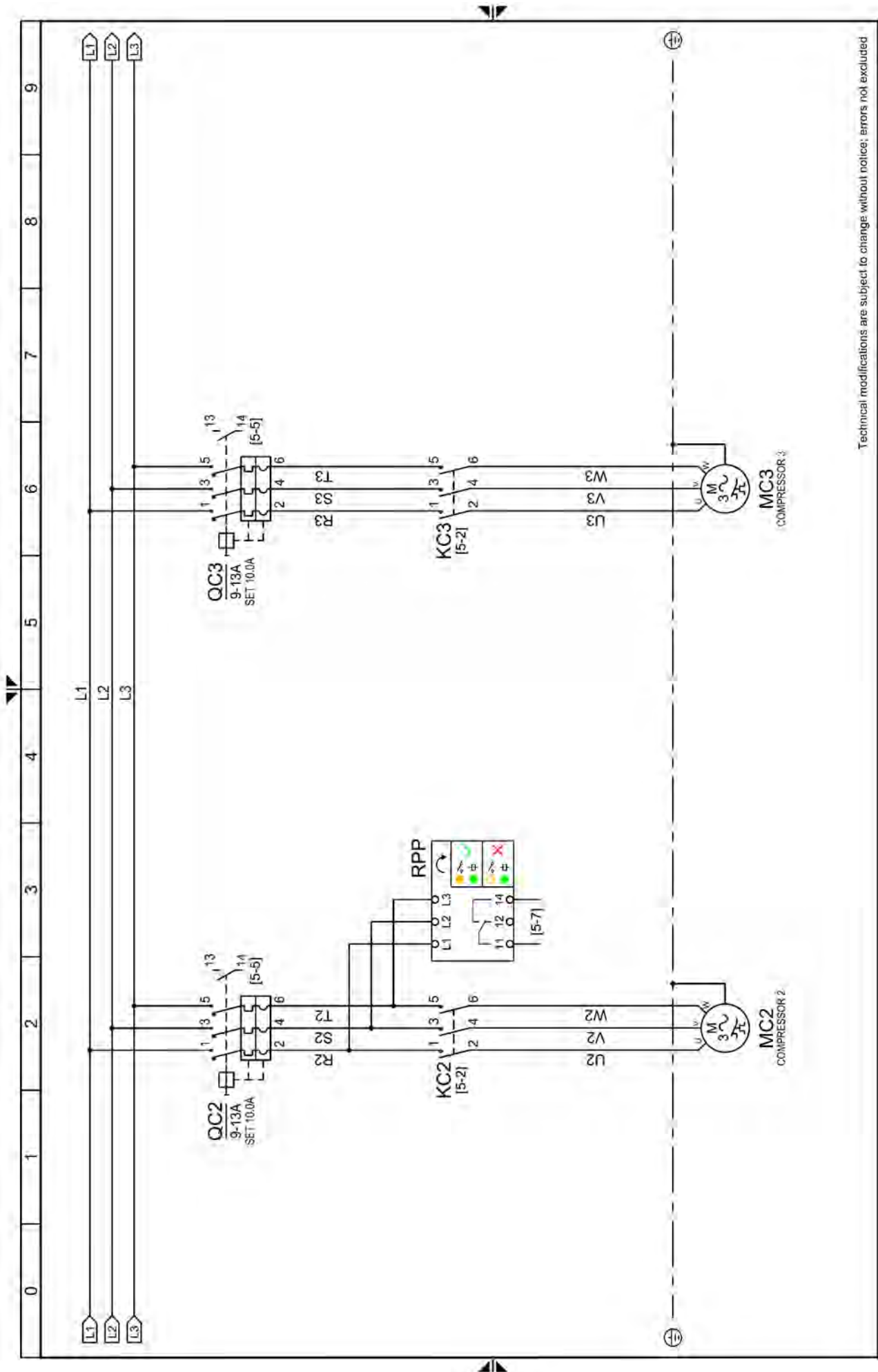
[NT4]
(*) See dryer nameplate

LIMIT OF EQUIPMENT
[NT5]

Technical modifications are subject to change without notice; errors not excluded

Drawing no.: **WD5478QCD055_V00**
Rev. **00**
Note: -
Sheet **01** of **10**

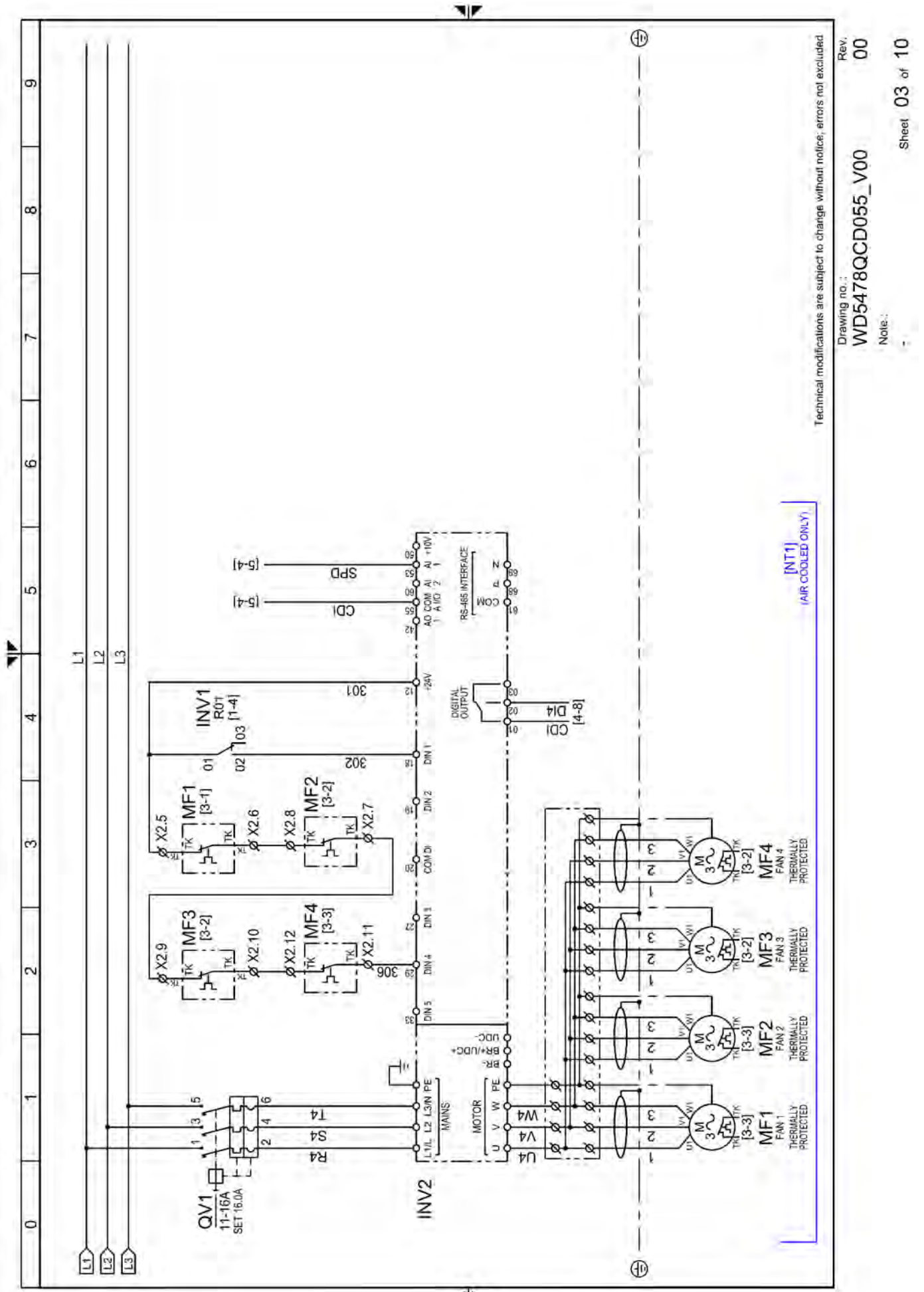
14.3.3 ACT VS 5000



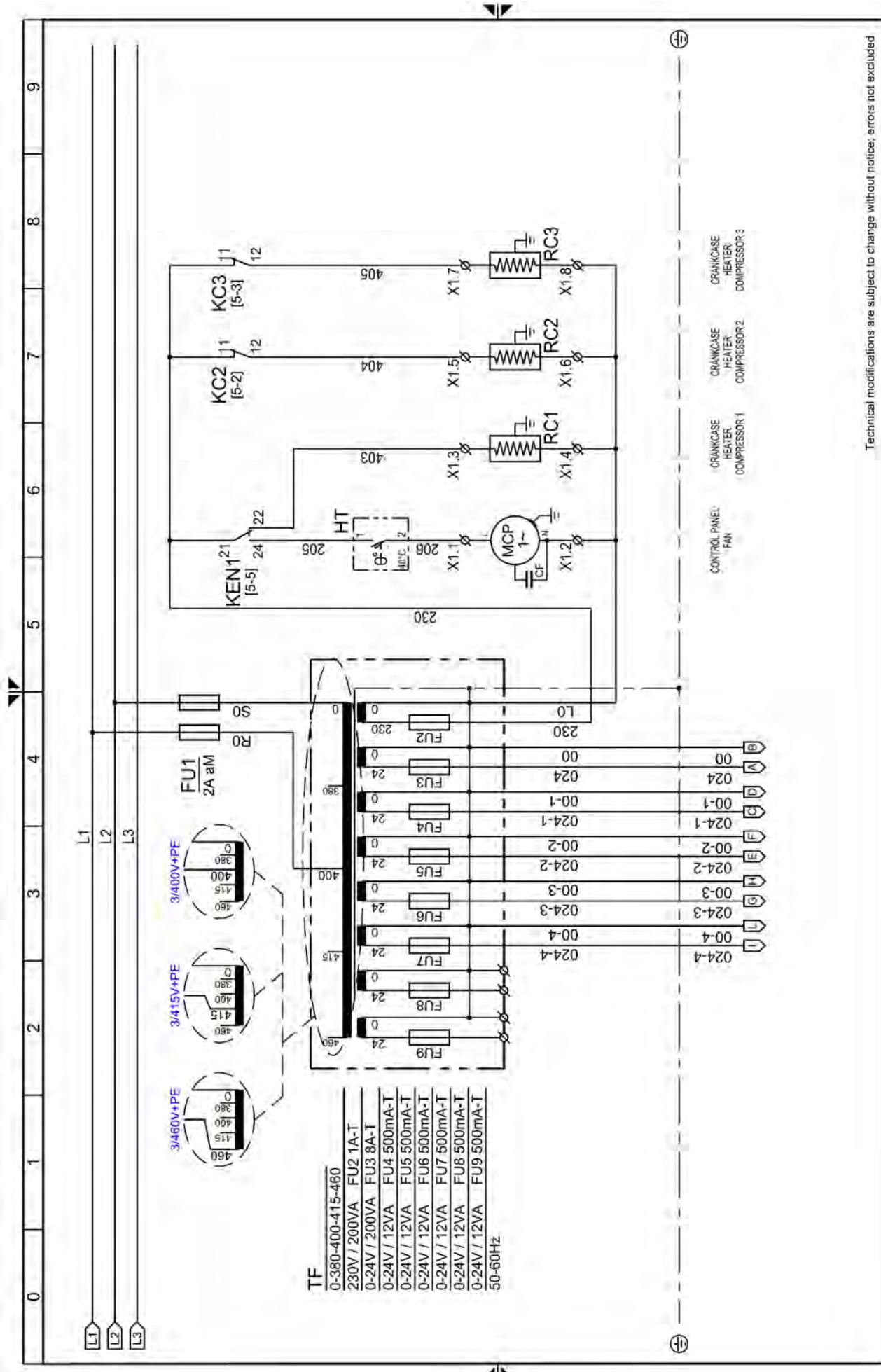
Technical modifications are subject to change without notice; errors not excluded

Drawing no.: **WD5478QCD055_V00**
 Rev. **00**
 Note: **Sheet 02 of 10**

14.3.3 ACT VS 5000



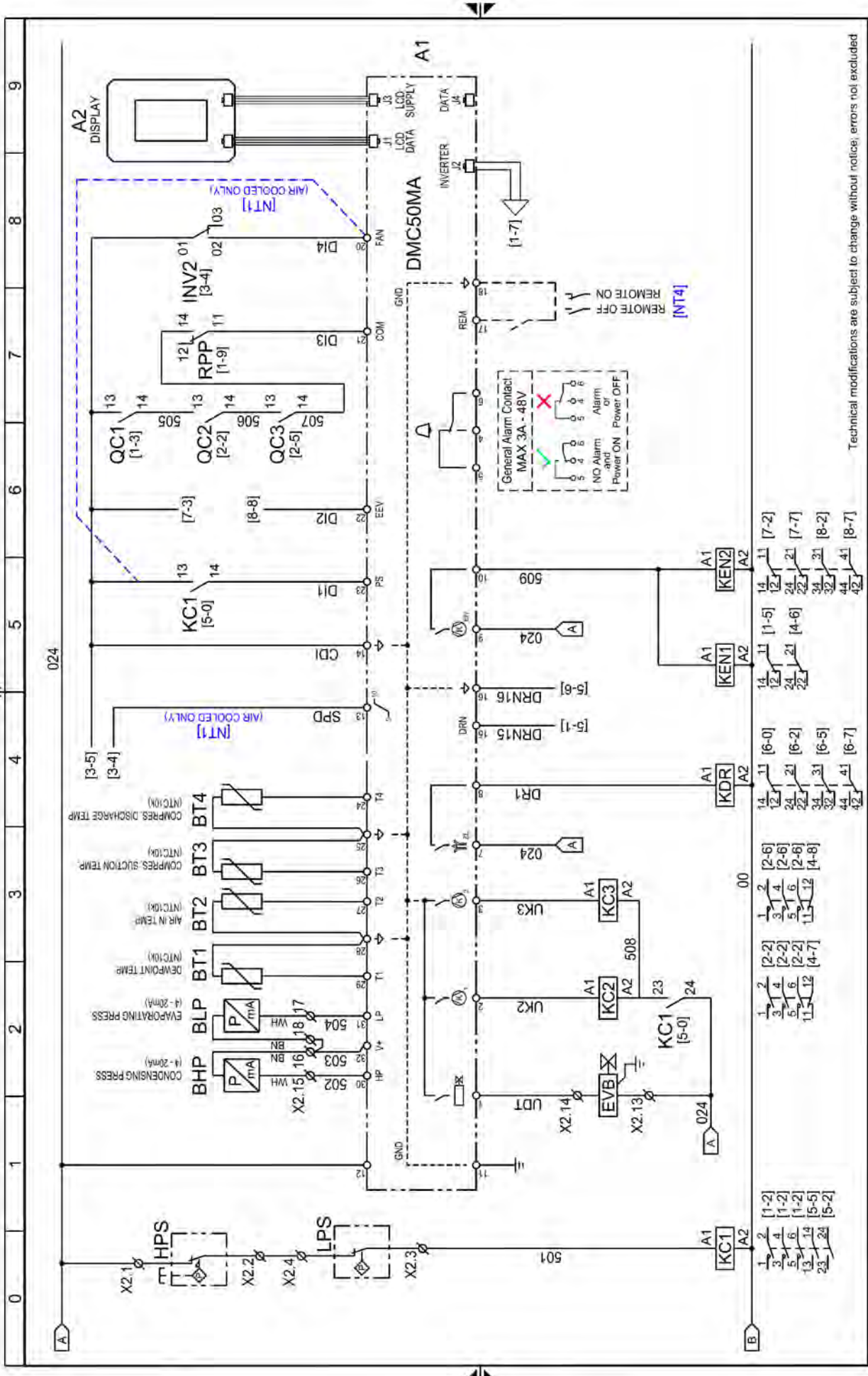
14.3.3 ACT VS 5000



Technical modifications are subject to change without notice; errors not excluded

Rev. 00
 Drawing no.: WD5478QCDD055_V00
 Note: -
 Sheet 04 of 10

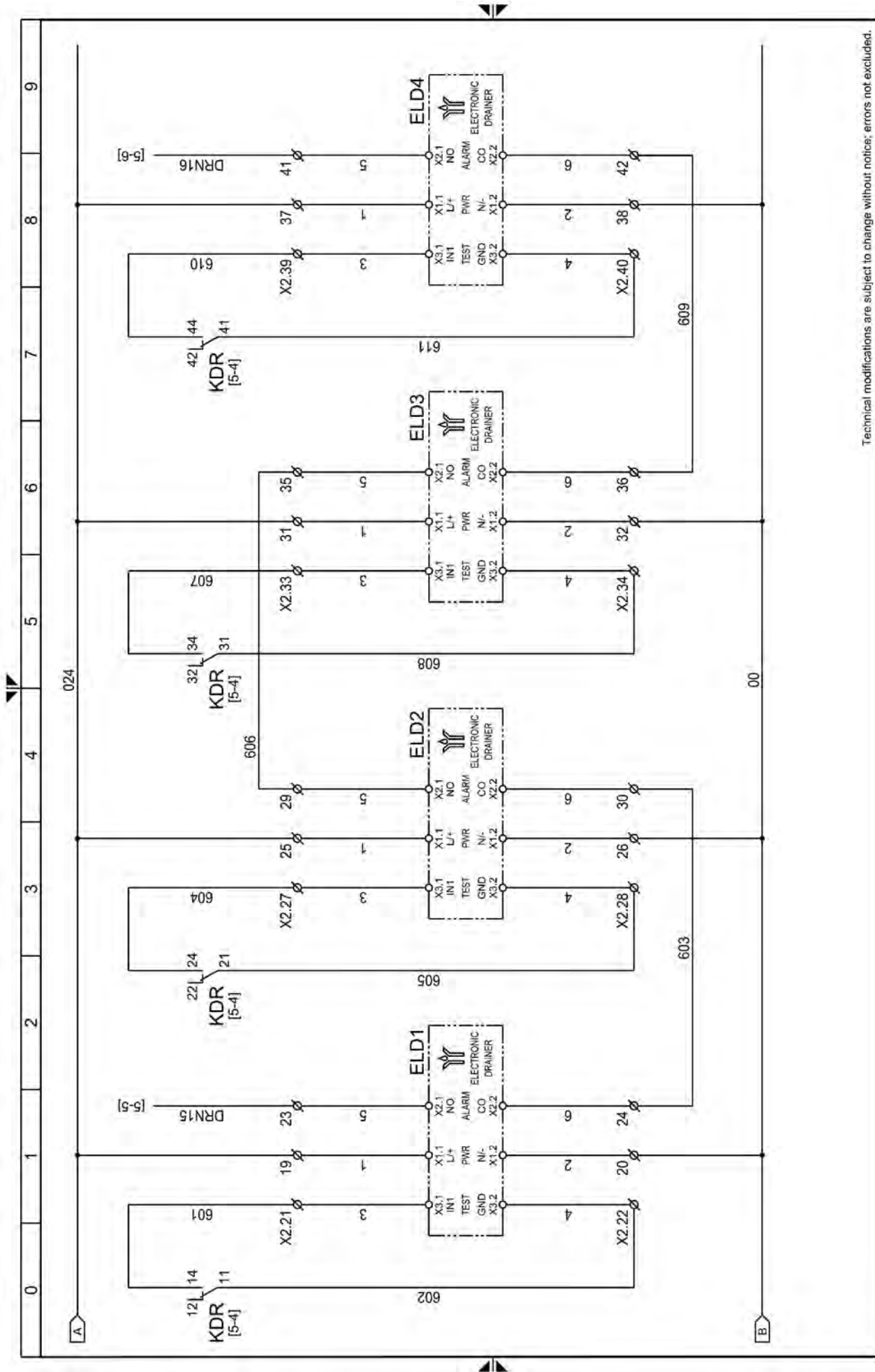
14.3.3 ACT VS 5000



Technical modifications are subject to change without notice, errors not excluded

Drawing no.: **WD5478QCD055_V00** Rev. **00**
 Note: **Sheet 05 of 10**

14.3.3 ACT VS 5000



Technical modifications are subject to change without notice; errors not excluded.

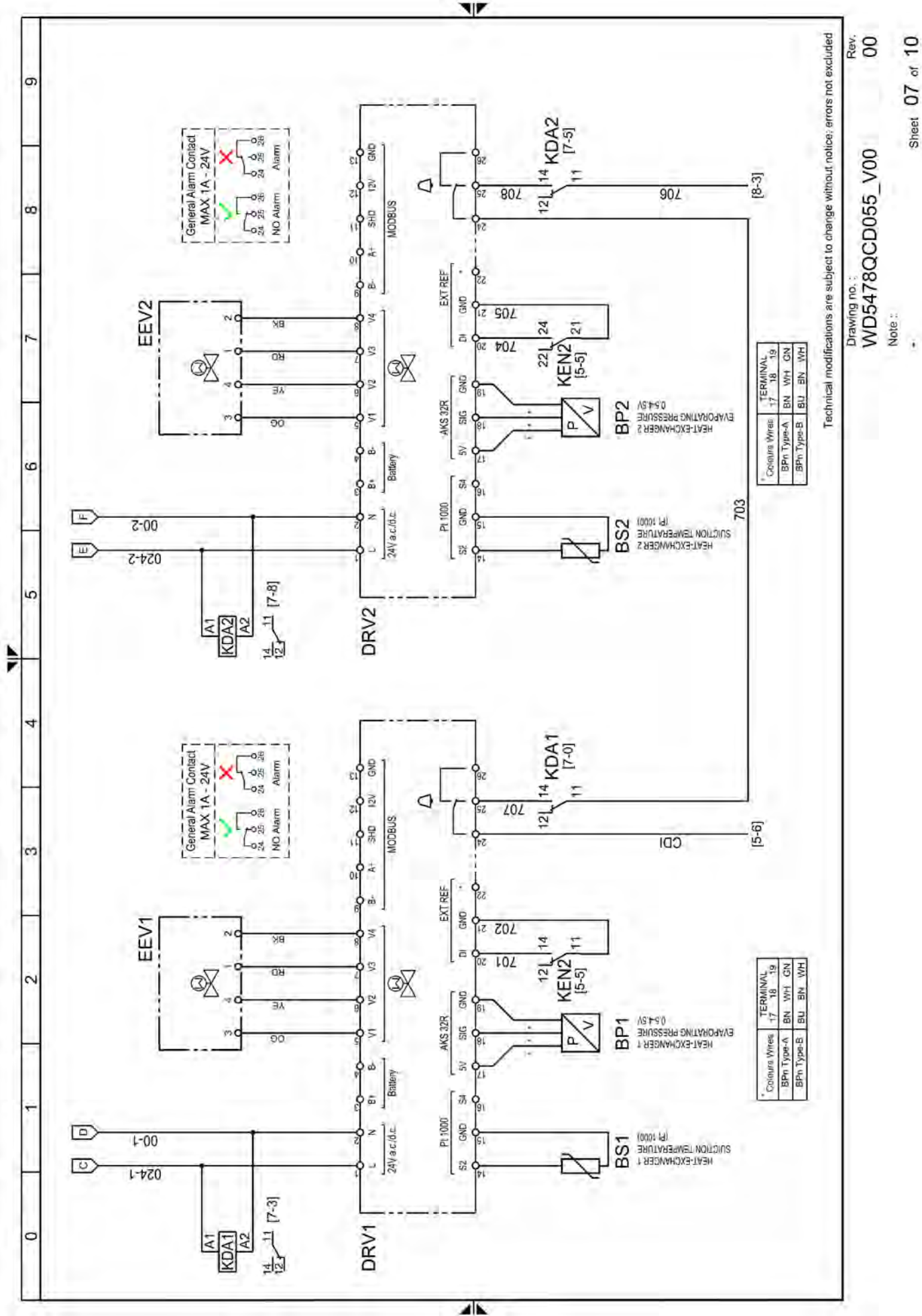
Drawing no. : WD5478QCD055_V00

Rev. : 00

Note :

Sheet 06 of 10

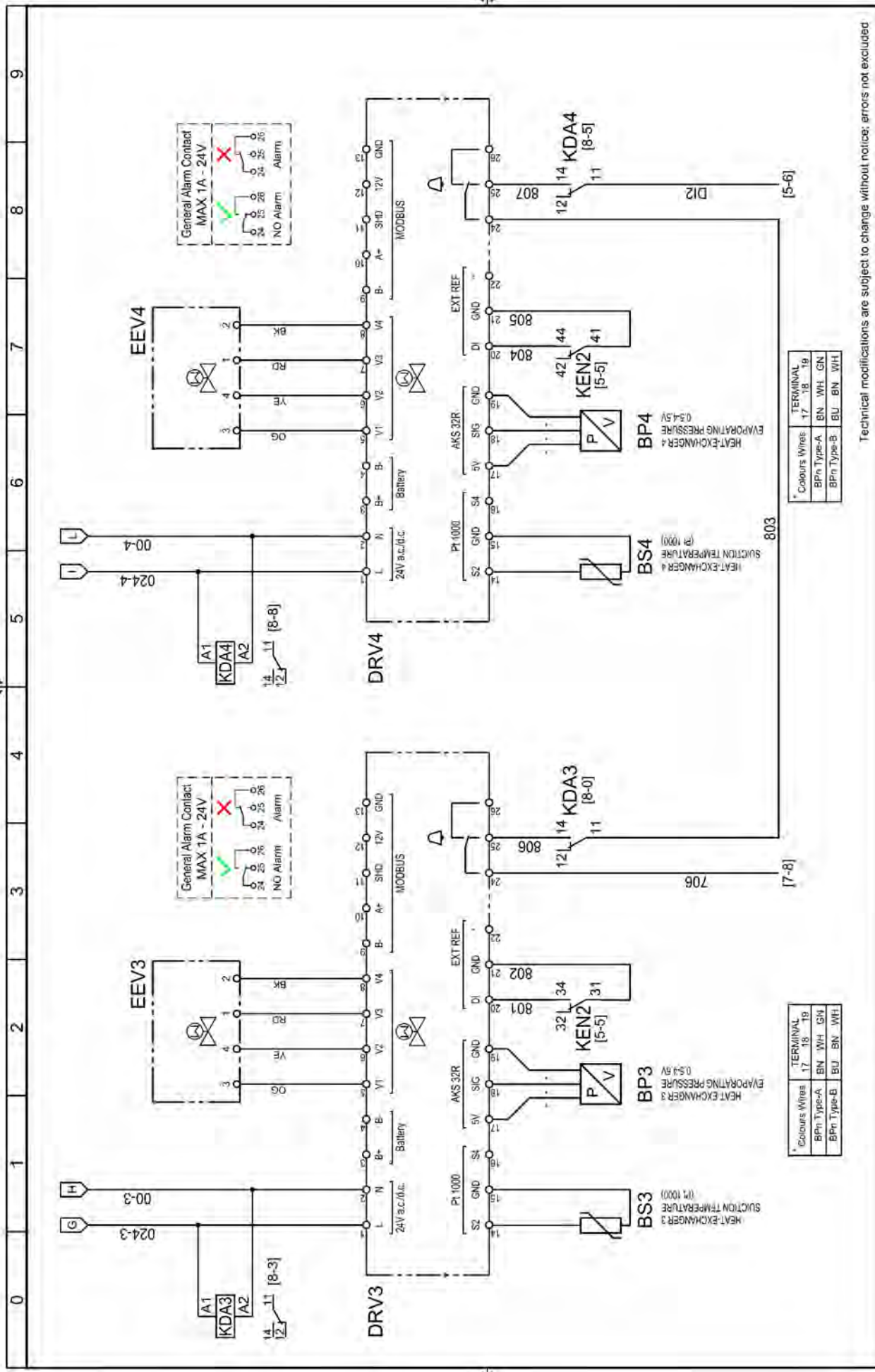
14.3.3 ACT VS 5000



Technical modifications are subject to change without notice; errors not excluded

Drawing no.: **WD5478QCD055_V00**
 Rev. **00**
 Note: -
 Sheet **07** of **10**

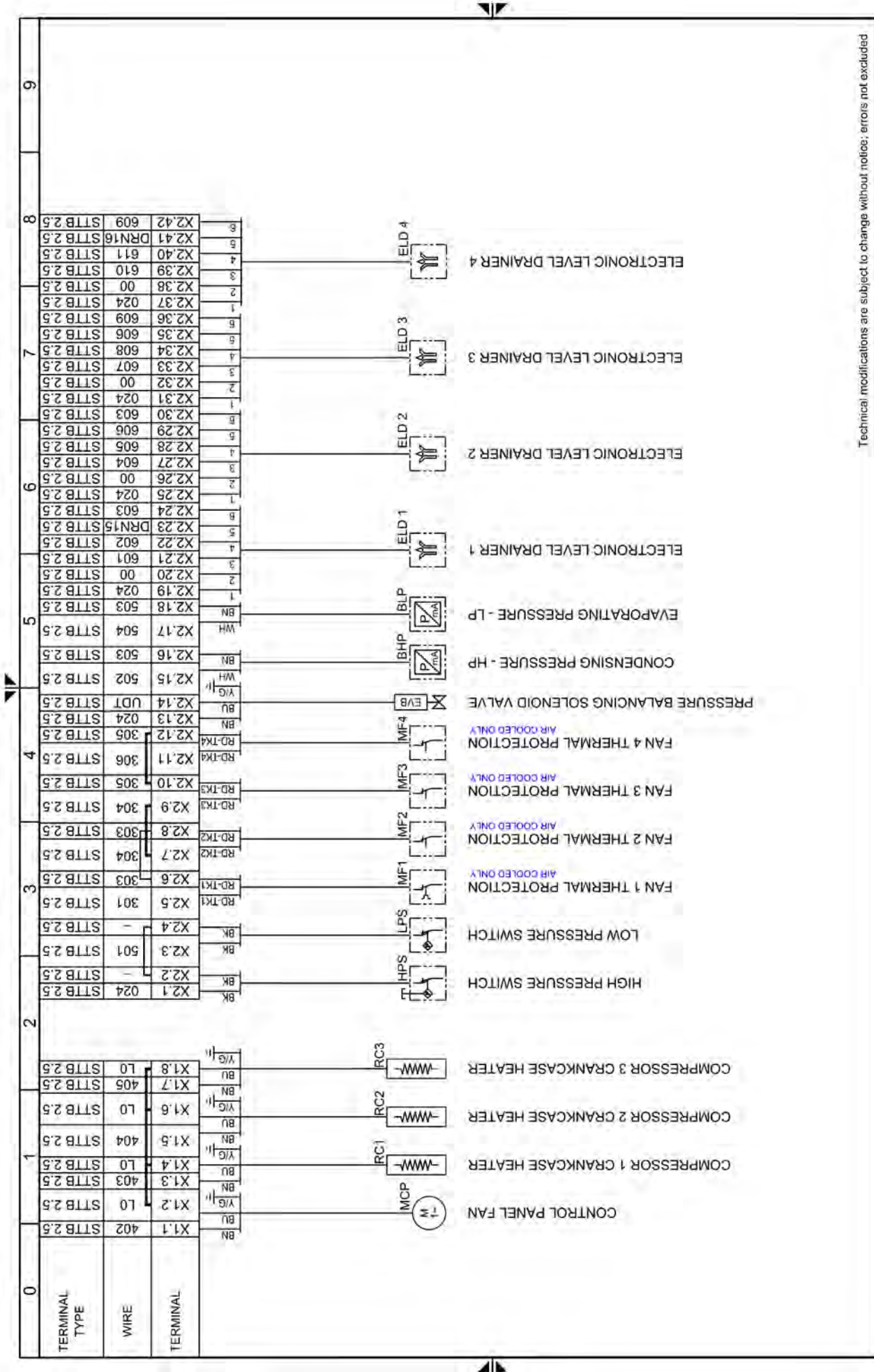
14.3.3 ACT VS 5000



Technical modifications are subject to change without notice; errors not excluded

Drawing no.: **WD5478QCD055_V00**
 Rev.: **00**
 Note: **Sheet 08 of 10**

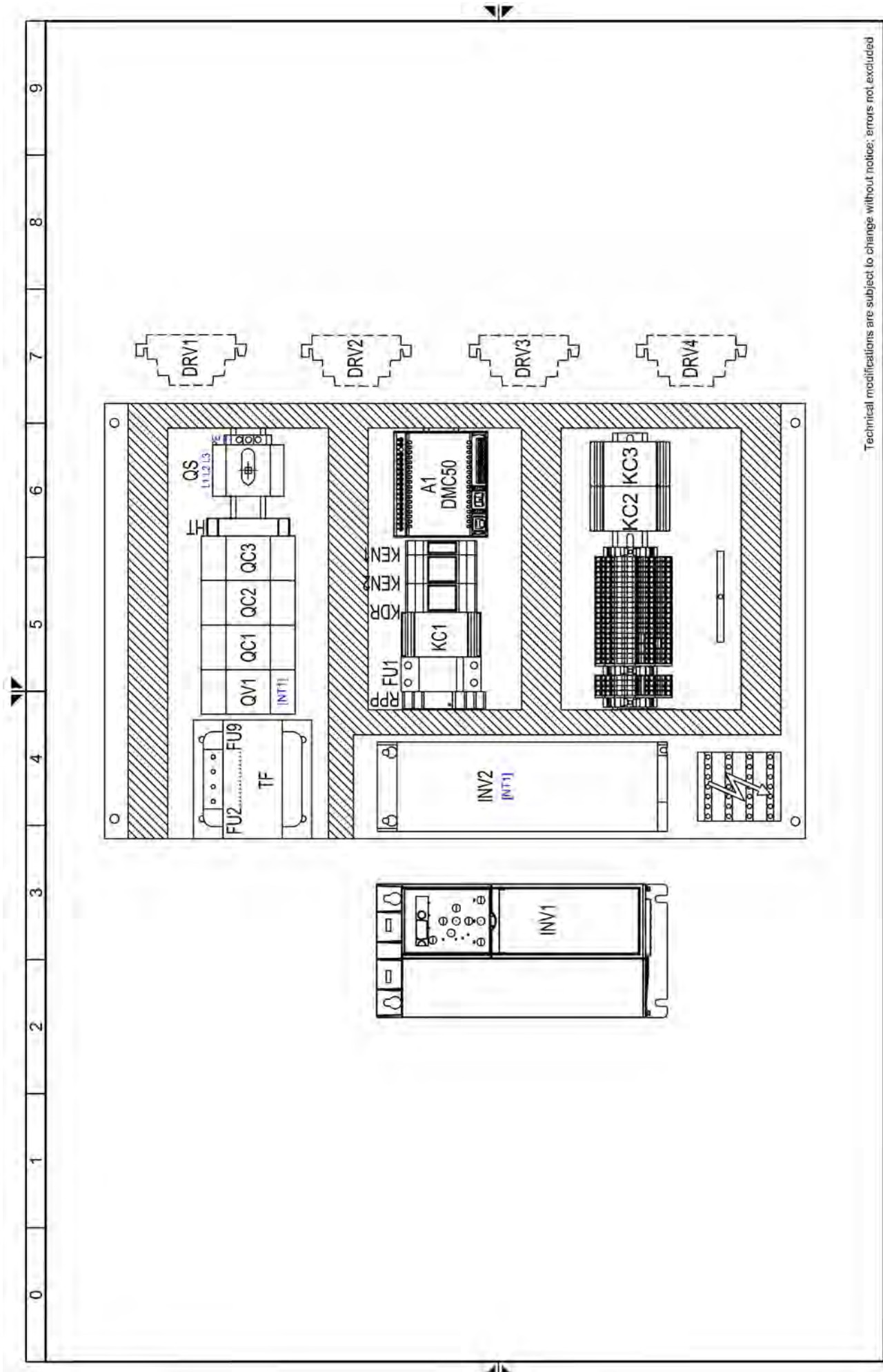
14.3.3 ACT VS 5000



Technical modifications are subject to change without notice; errors not excluded

Drawing no.: **WD5478QCD055_V00**
 Rev: **00**
 Note:

14.3.3 ACT VS 5000

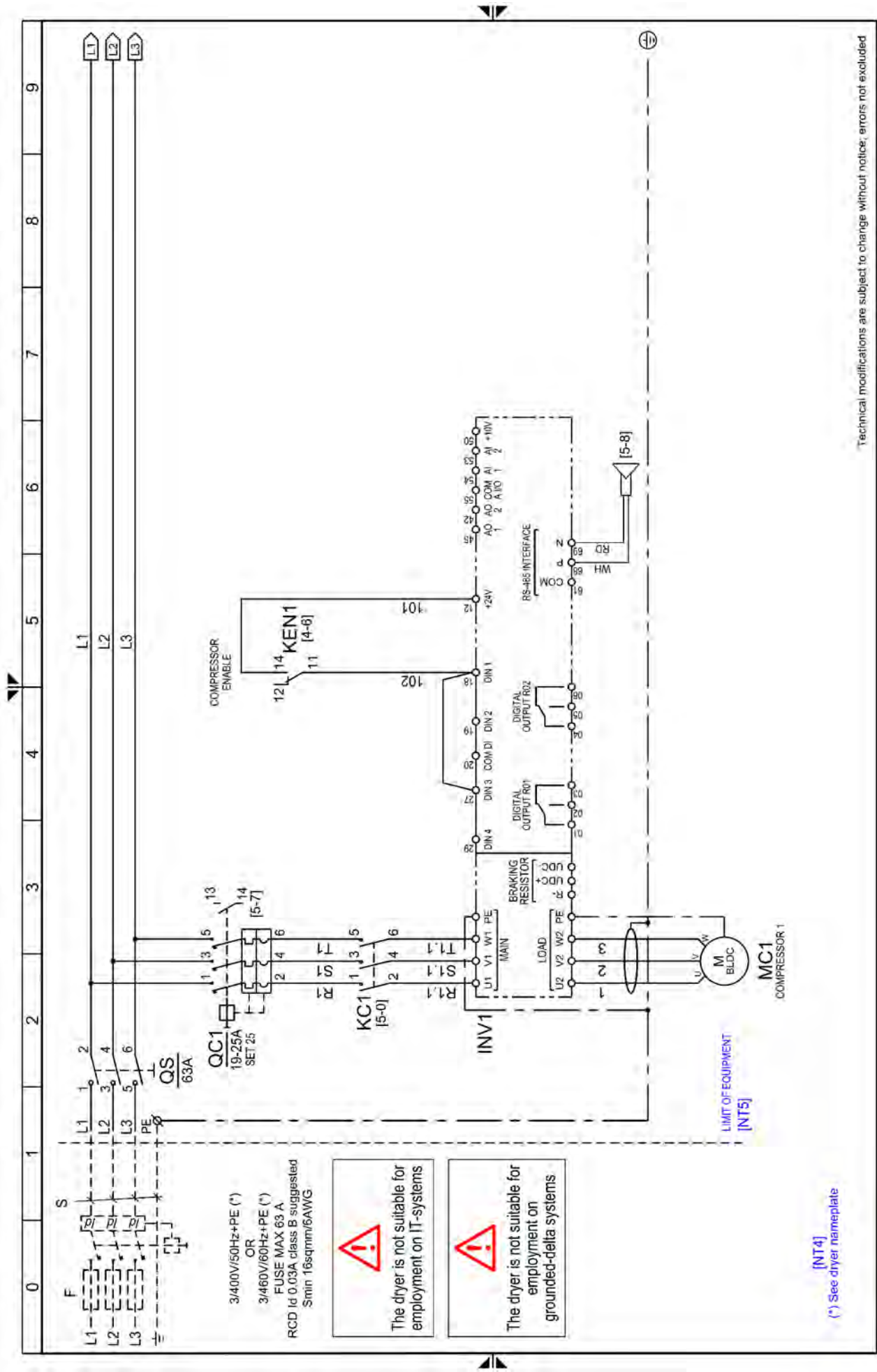


Technical modifications are subject to change without notice; errors not excluded

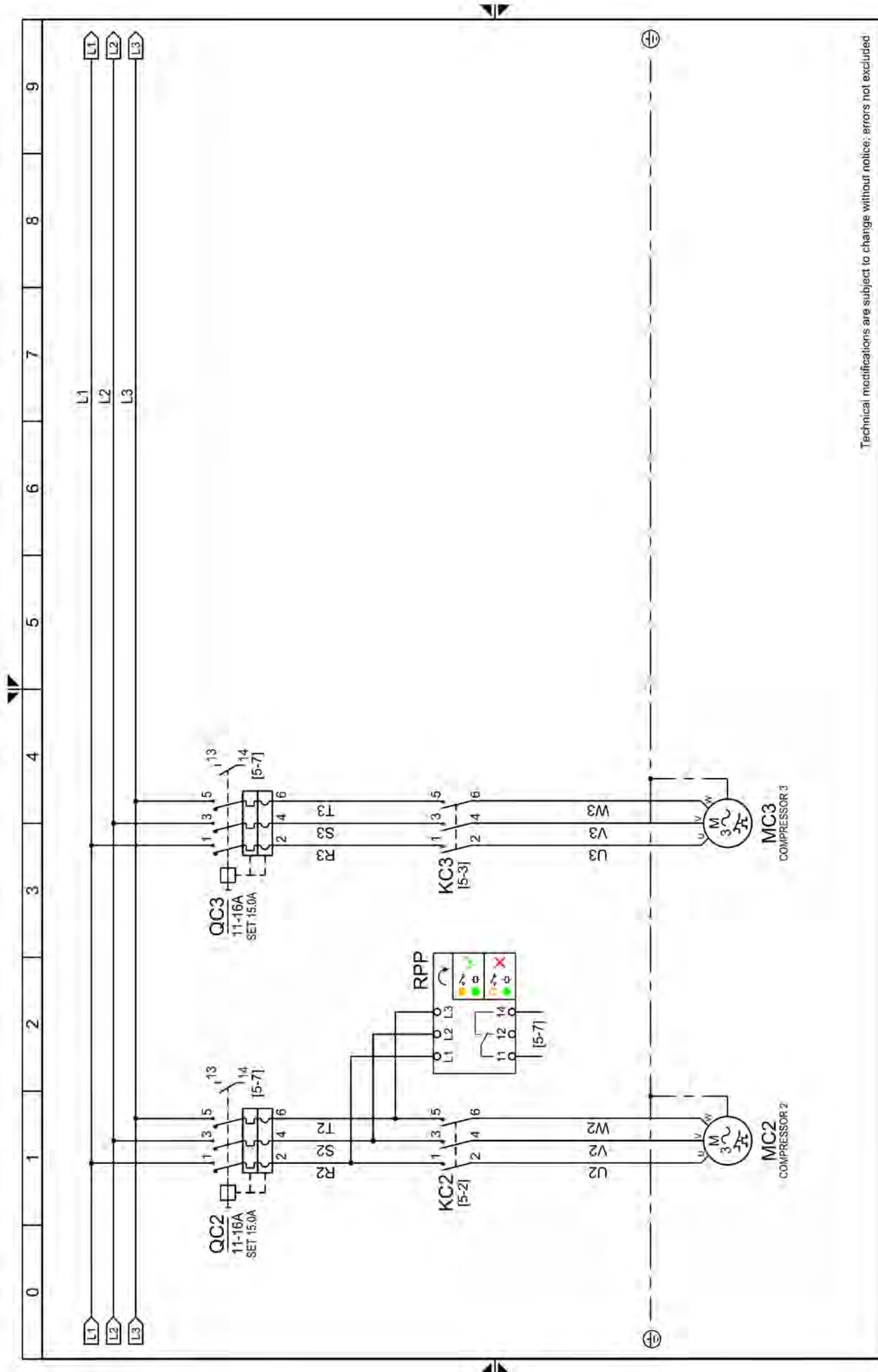
Drawing no.: **WD5478QCD055_V00** Rev. **00**

Note: **Sheet 10 of 10**

14.3.4 ACT VS 6000



14.3.4 ACT VS 6000



Technical modifications are subject to change without notice; errors not excluded

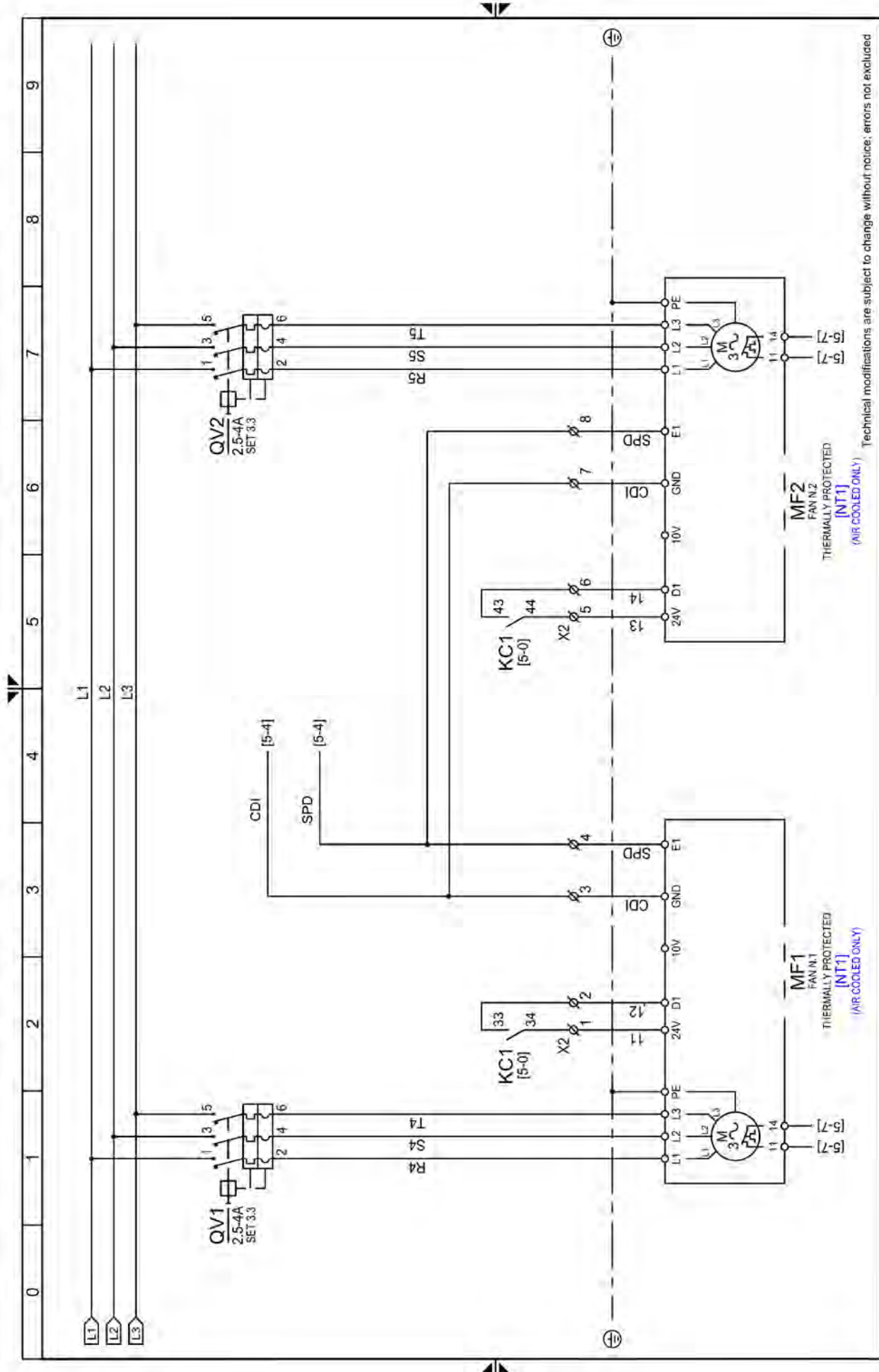
Drawing no. : WD5478QCD056_V00

Rev. 00

Note :

Sheet 02 of 13

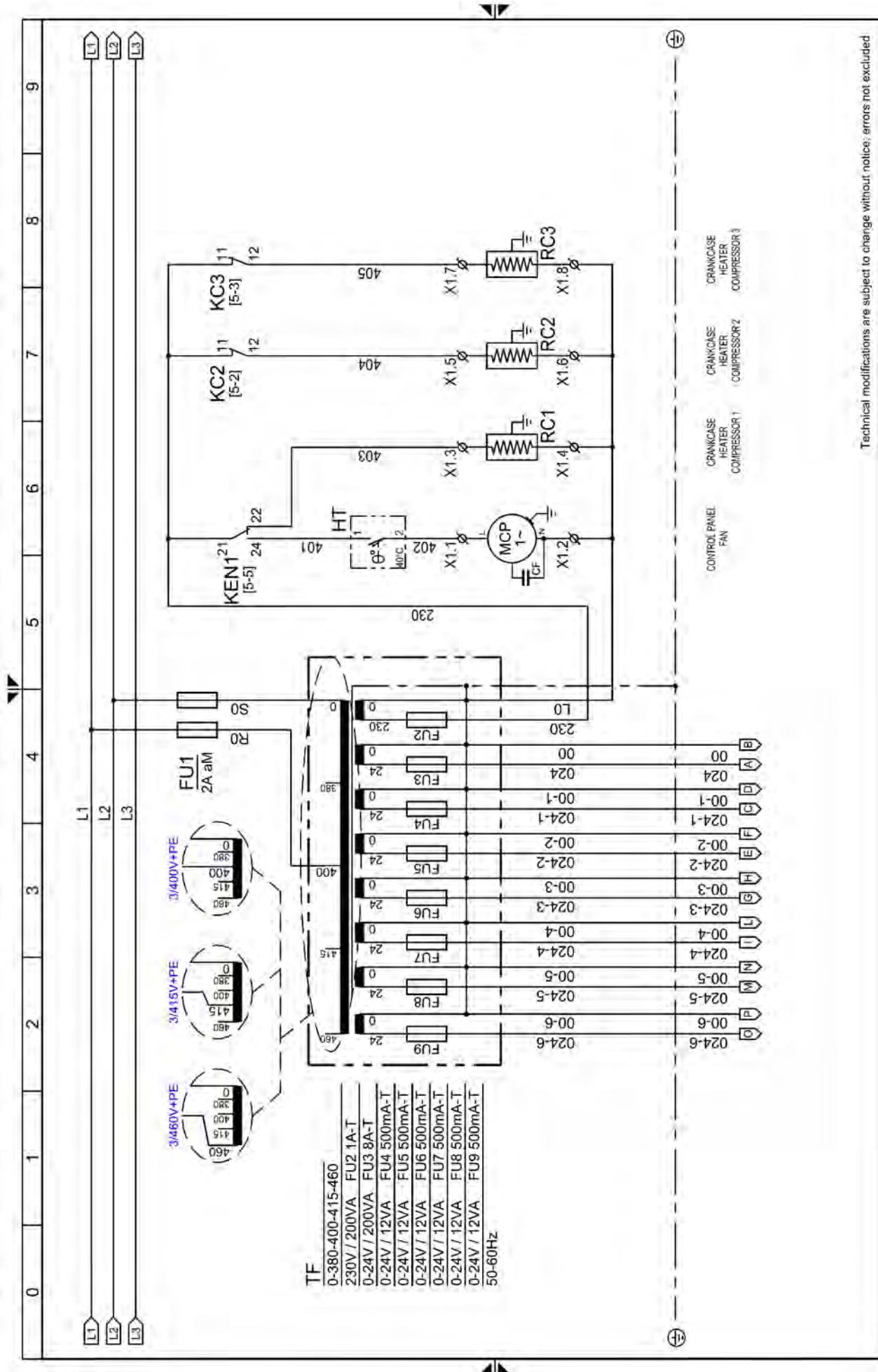
14.3.4 ACT VS 6000



Technical modifications are subject to change without notice, errors not excluded

Drawing no.: **WD5478QCCD056_V00**
 Rev. **00**
 Note: **Sheet 03 of 13**

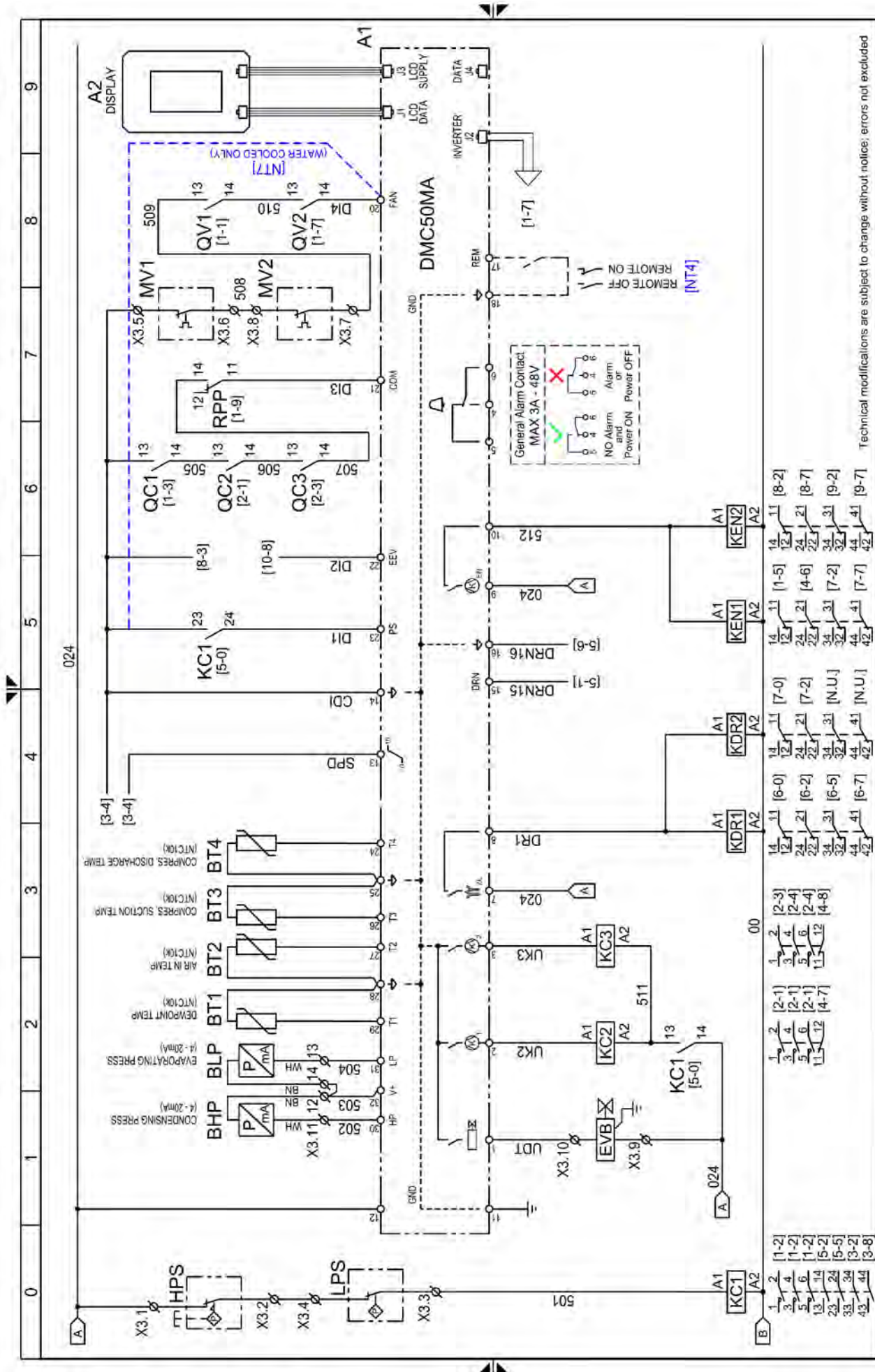
14.3.4 ACT VS 6000



Technical modifications are subject to change without notice; errors not excluded

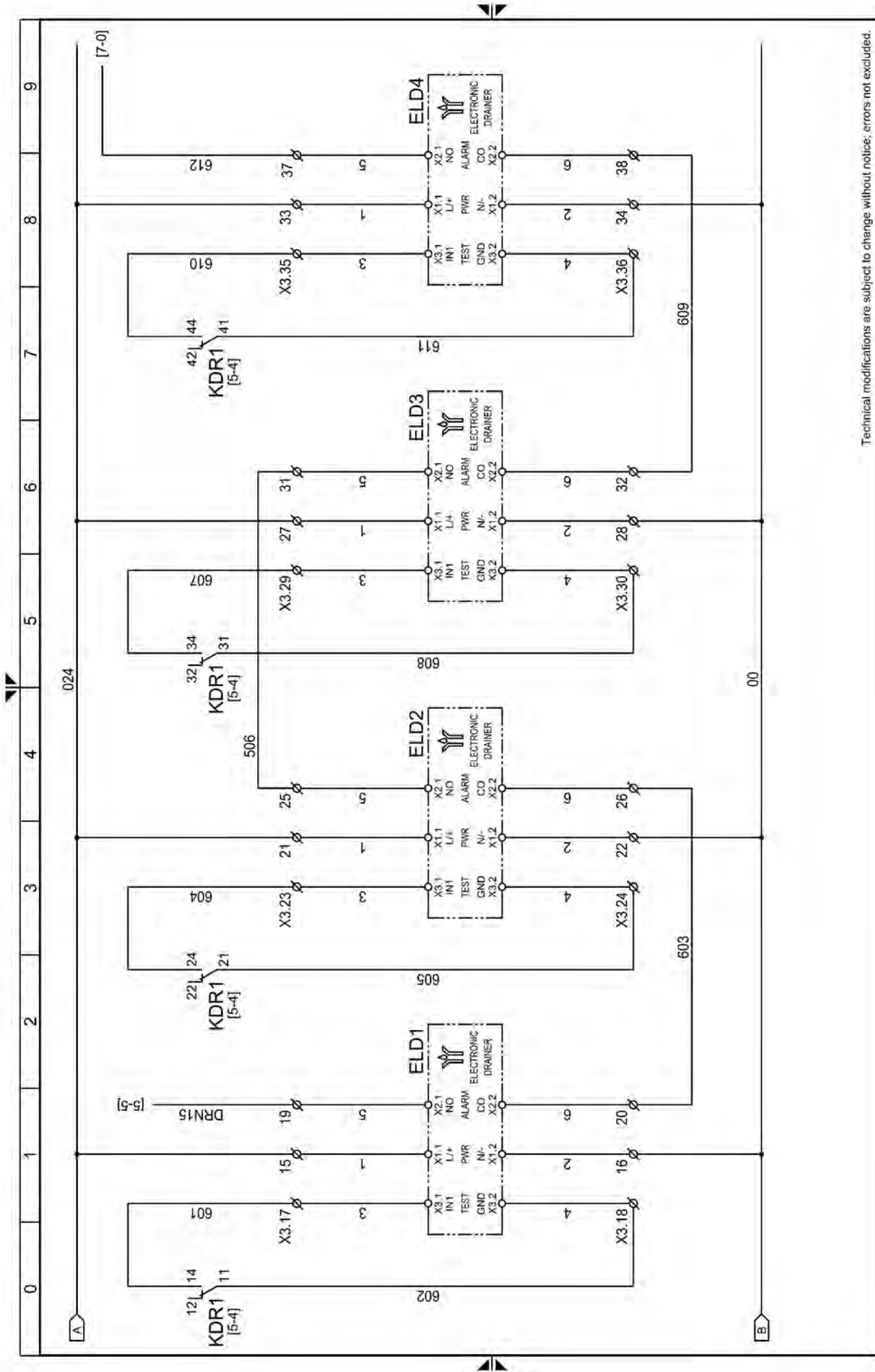
Rev. 00
 Drawing no.: WD5478QCD056_V00
 Note: -
 Sheet 04 of 13

14.3.4 ACT VS 6000



Rev. 00
 Drawing no.: WD5478QCD056_V00
 Note: Sheet 05 of 13

14.3.4 ACT VS 6000



Technical modifications are subject to change without notice; errors not excluded.

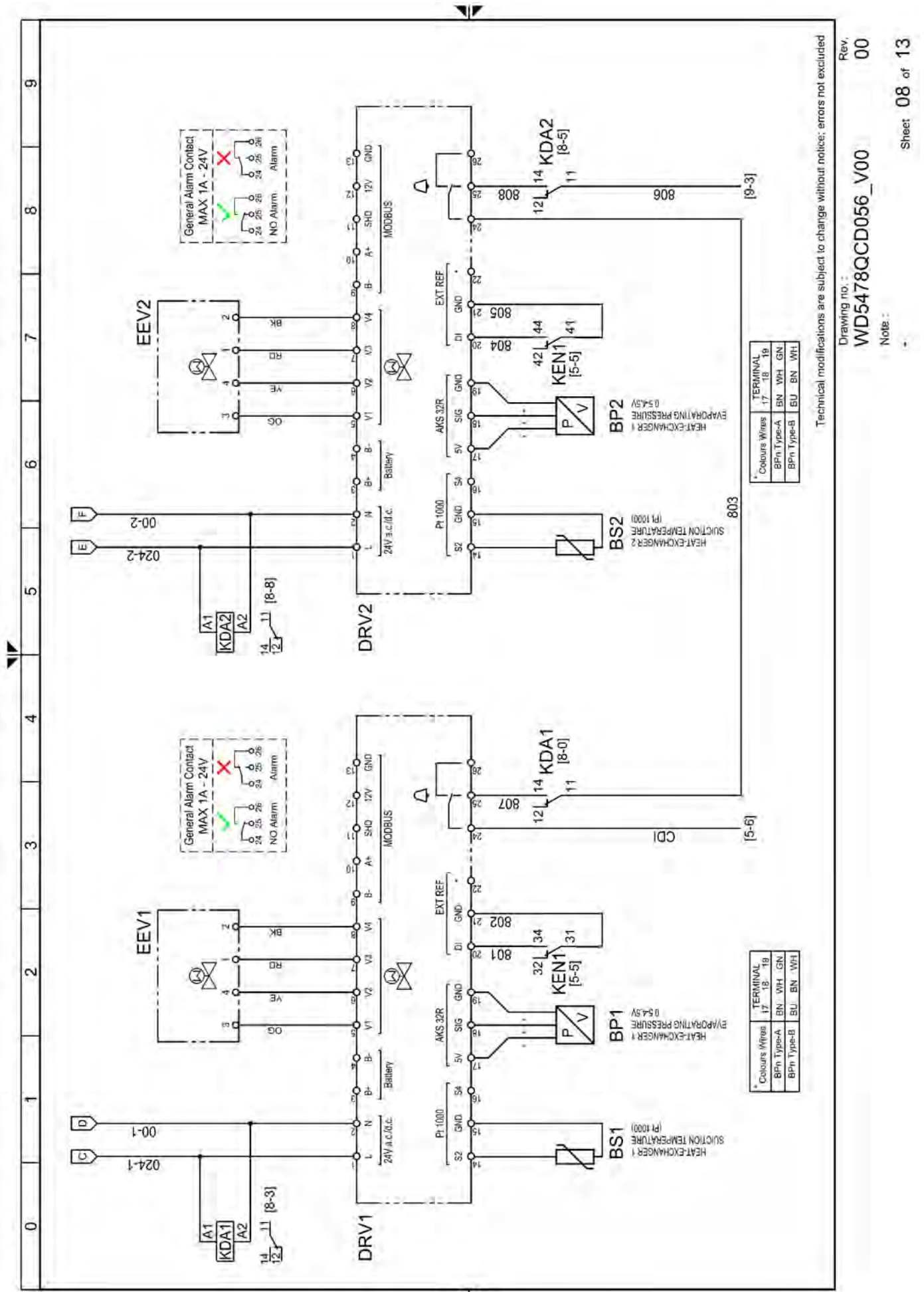
Drawing no. : WD5478QCCD056_V00

Rev. 00

Note :

Sheet 06 of 13

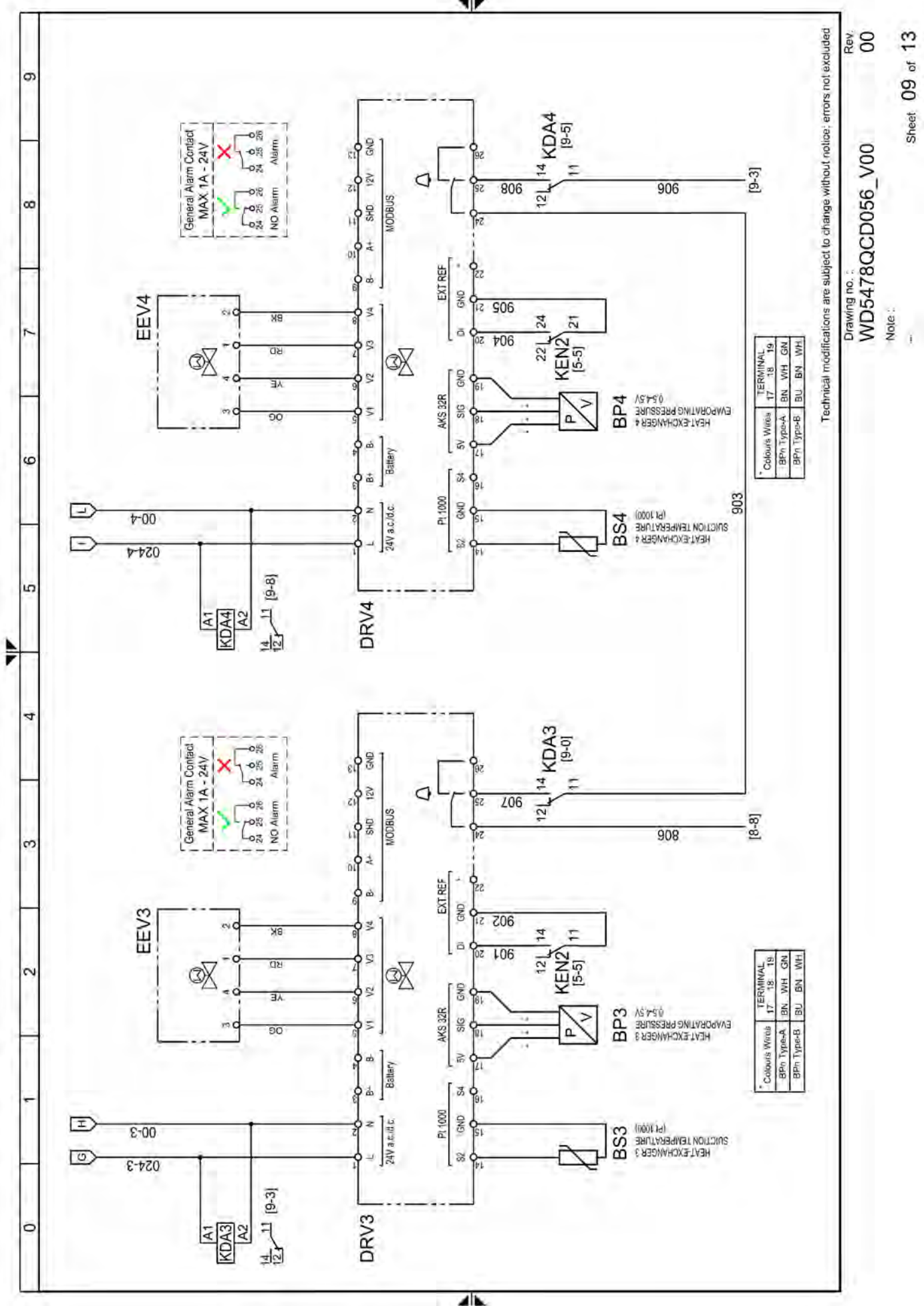
14.3.4 ACT VS 6000



Technical modifications are subject to change without notices; errors not excluded

Drawing no.: **WD5478QCD056_V00**
 Rev. **00**
 Note: -
 Sheet **08** of **13**

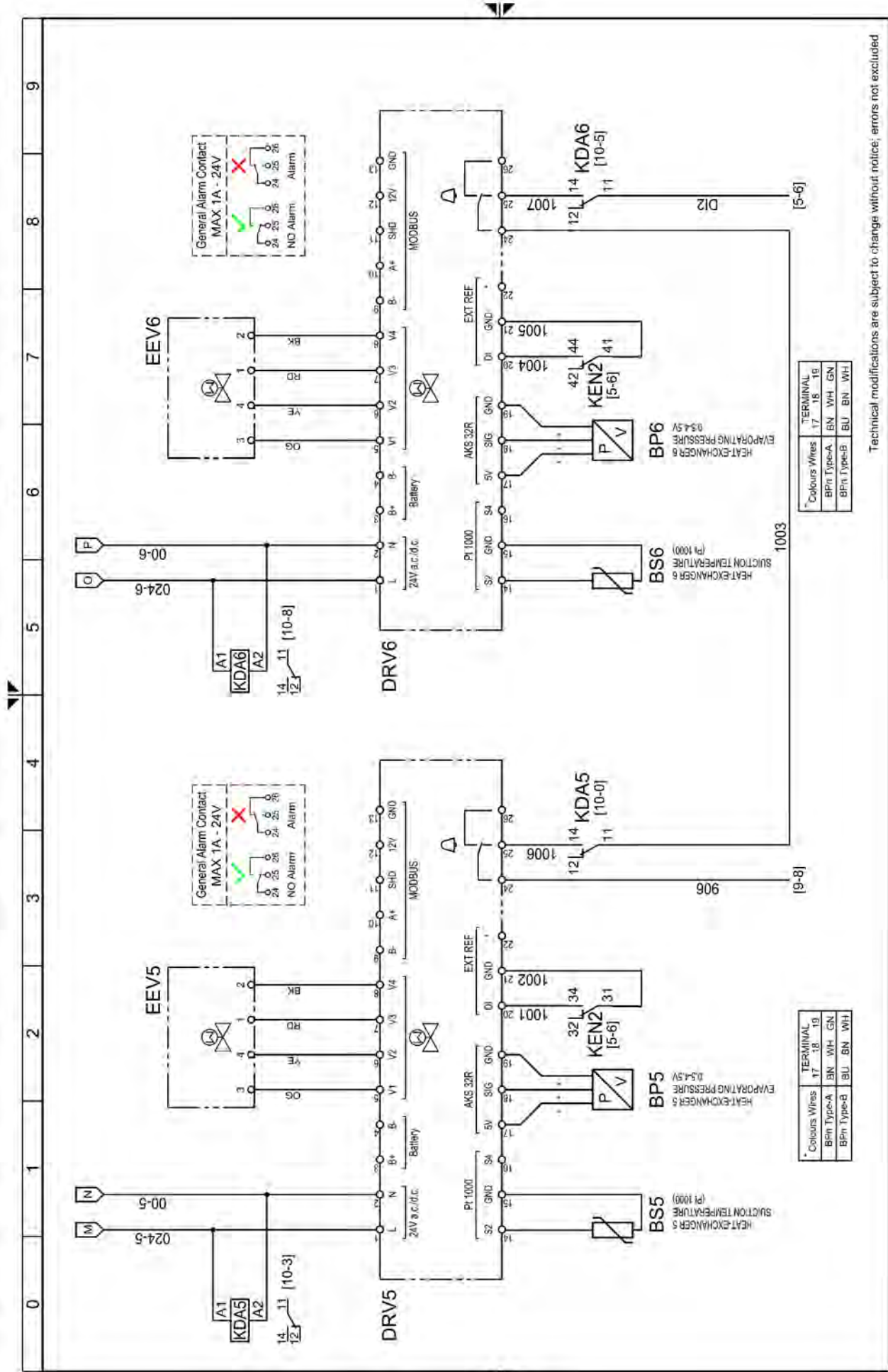
14.3.4 ACT VS 6000



Technical modifications are subject to change without notice; errors not excluded

Drawing no.: **WD5478QCD056_V00**
 Rev: **00**
 Sheet: **09** of **13**

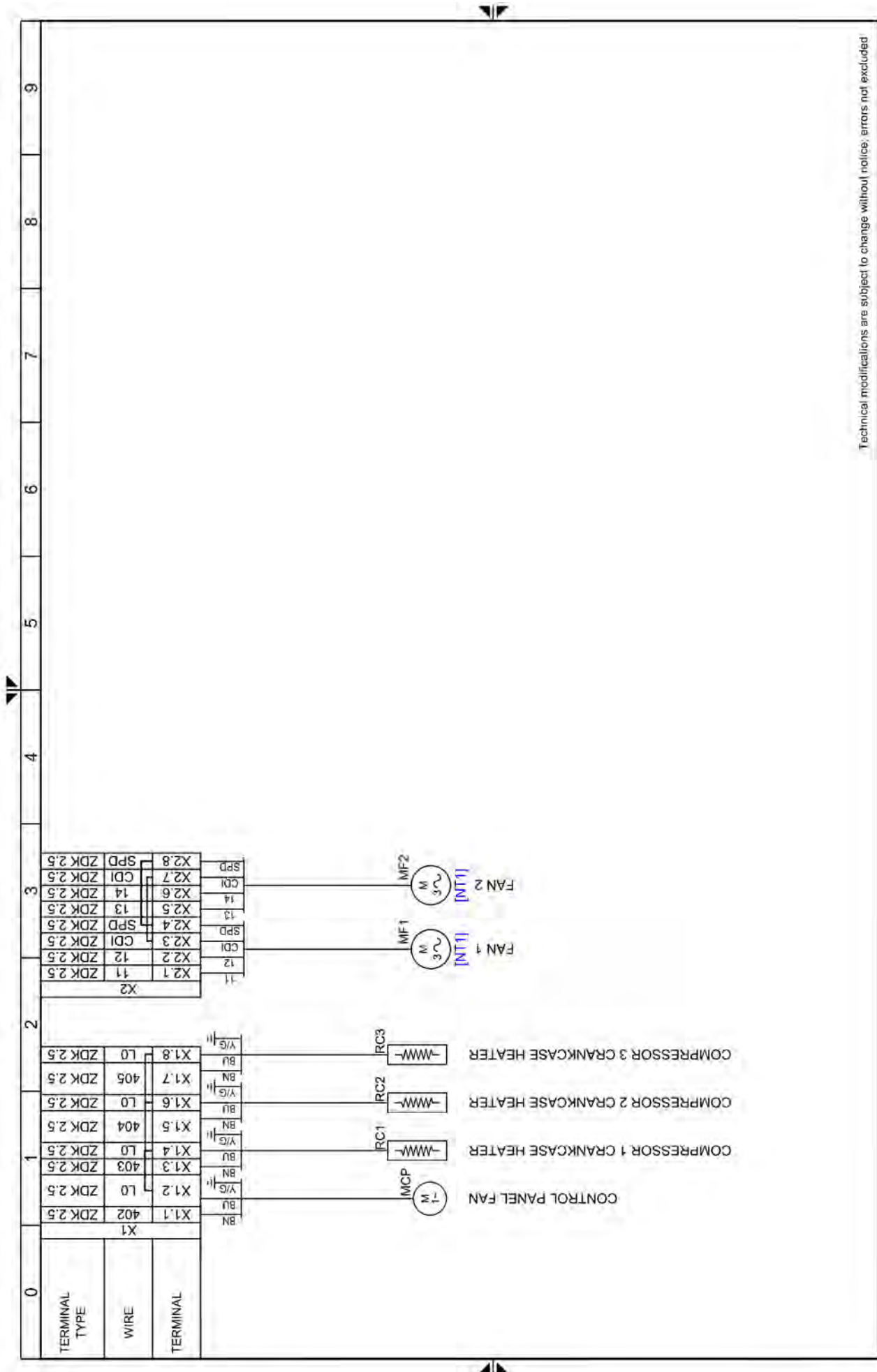
14.3.4 ACT VS 6000



Rev. 00
 Drawing no.: WD5478QCD056_V00

Note: -
 Sheet 10 of 13

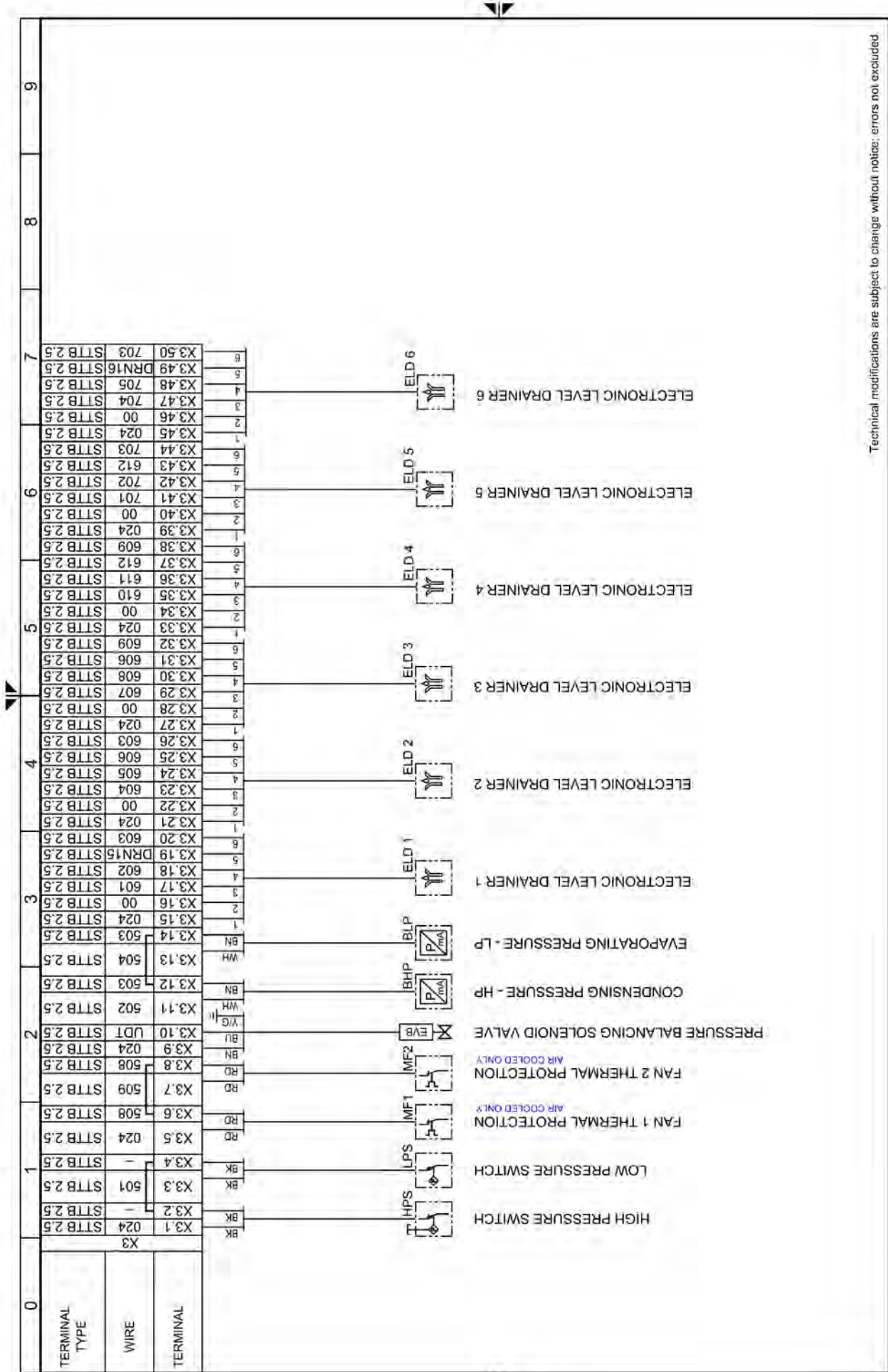
14.3.4 ACT VS 6000



Technical modifications are subject to change without notice; errors not excluded

Drawing no.: **WD5478QCD056_V00** Rev. **00**
 Note: Sheet **11** of **13**

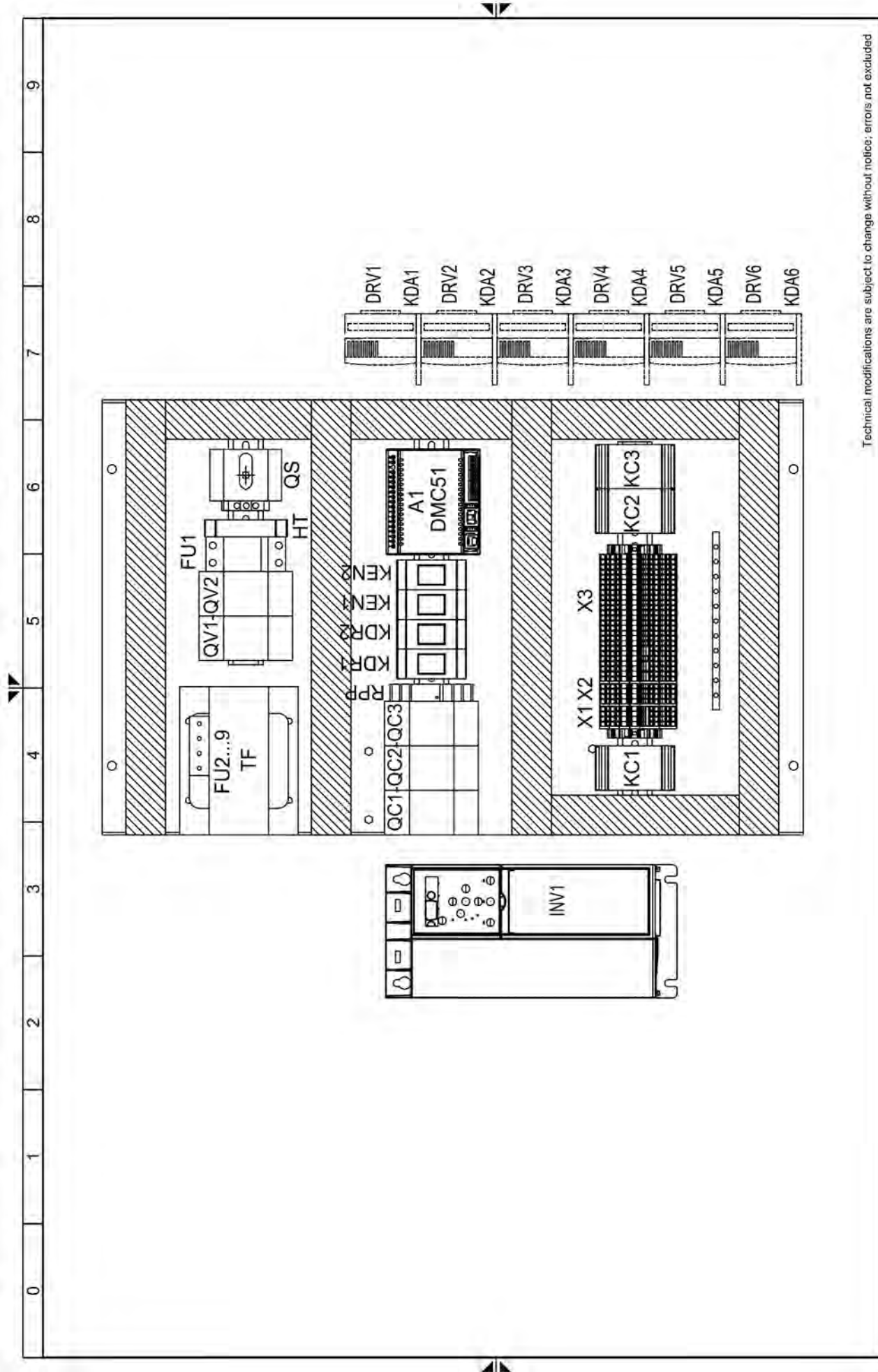
14.3.4 ACT VS 6000



Technical modifications are subject to change without notice; errors not excluded

Rev. 00
 Drawing no.: WD5478QCCD056_V00
 Note:

14.3.4 ACT VS 6000



Technical modifications are subject to change without notice; errors not excluded

Drawing no.: WD5478QCD056_V00

Rev. 00

Note:

Sheet 13 of 13

COSTRUTTORE / MANUFACTURER :

FRIULAIR S.r.l.

Sede Legale e Operativa:

33050 - Cervignano del Friuli (UD) – ITALY
Via Cisis, 36 - S.S.352 Km 21 Fraz. Strassoldo

www.friulair.com