

AIR PREPARATION UNITS REGULATOR Series R1

Cat No R1 - 01 - C

AIR REGULATOR - 1/4, 3/8, 1/2, 3/4, 1"

Features

- ❑ Conforms to ISO 6953 - 1
- ❑ Suitable for panel and modular mountings
- ❑ Non raising ' Press to Lock' adjusting knob for locking at any set pressure
- ❑ Diaphragm operated, relieving type
- ❑ Pressure compensated by Balanced poppet.
- ❑ Flow compensated in models R14, R15 and R17 (with venturi) for faster response
- ❑ Good flow and regulating characteristics.



Technical Specifications

Model	R13	R14	R15	R17	R17
Medium	Compressed air - Filtered				
Port size	G1/4	G3/8	G1/2	G3/4	G1
Pressure gauge port size	G1/8	G1/8	G1/8	G1/4	G1/4
Flow rate (lts / min) [@]	600	2500	4000	5000	6000
Maximum supply pressure (bar)	15				
Regulating pressure range [#] (bar)	0.2 - 2, 0.2 - 4, 0.5 - 7, 0.5 - 10 (Standard)				
Ambient / Medium temperature	5° - 60° C				
Installation	Any position				
Materials of construction	Aluminium, Brass, Steel, Acetal, SS, Nitrile				
Optional accessories [*]	Clamp, Modular mounting kit, Pressure gauge				
Weight (Kg)	0.15	0.40	0.90	1.4	1.3

[@] Supply pressure 7 bar , Set pressure 6 bar , Pressure drop $\Delta p = 1\text{bar}$ (For standard models)

[#] For details see " How to order "

^{*} For details refer optional accessories Cat No APA - 01 - C

Precautions

1. Note the direction of flow before installation and connect piping accordingly.
2. Flush pipings for dirt, dust, rust and other foreign particles.
3. Install in clean atmosphere.
4. Nipples of taper threads (R) to be used with teflon tape. Ensure teflon tape does not enter the unit during tightening.
Nipples of straight threads (G) to be used with sealing washer.

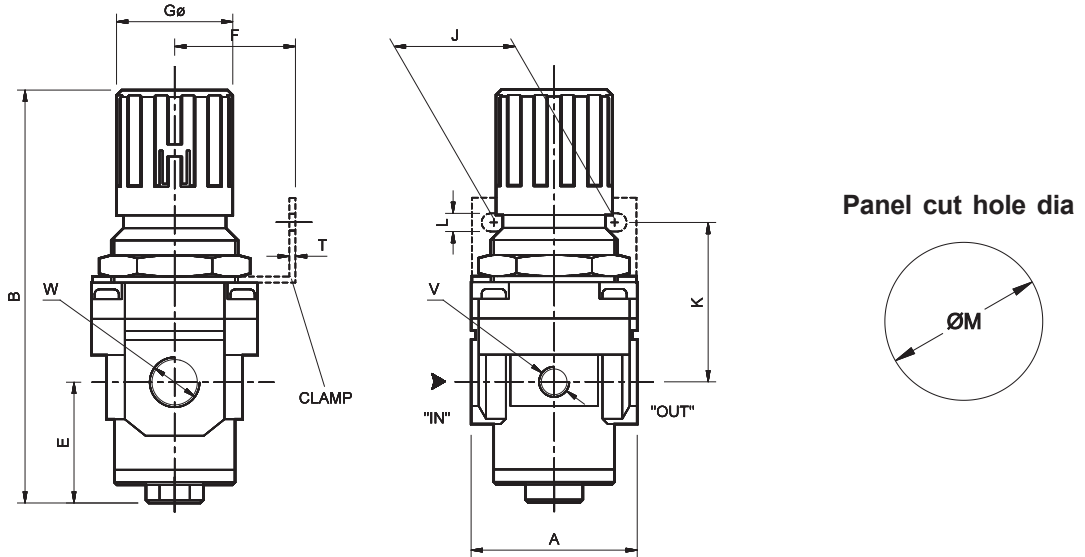
Pressure Setting

Pull the knob and adjust by turning the knob clockwise to increase the pressure. Push the knob back to its locked position. (Turning the knob counter clockwise will reduce the pressure)

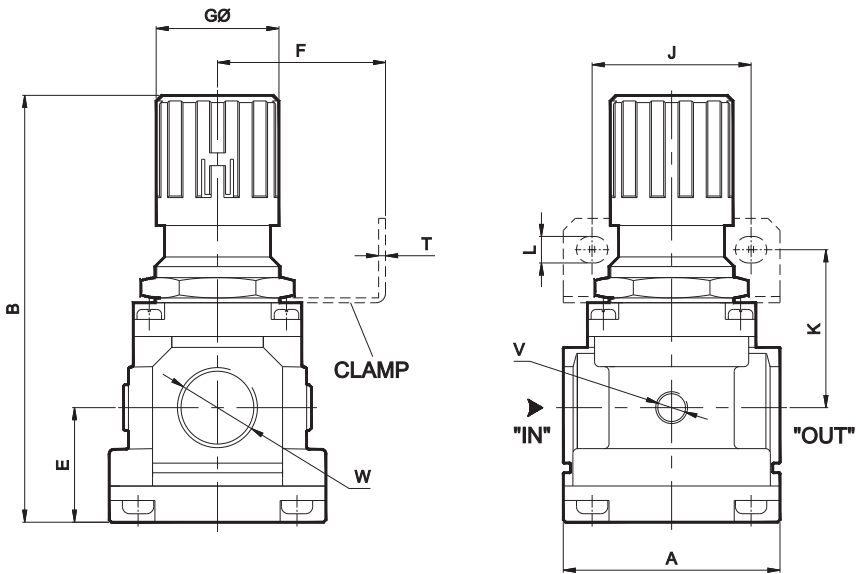
AIR PREPARATION UNITS
REGULATOR Series R1

Cat No R1 - 01 - C

Model R13, R14, R15



Model R17



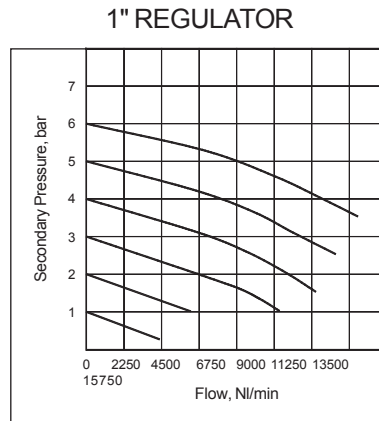
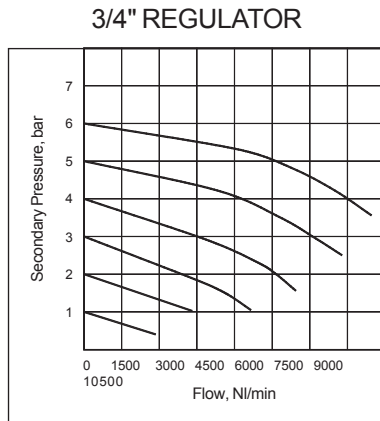
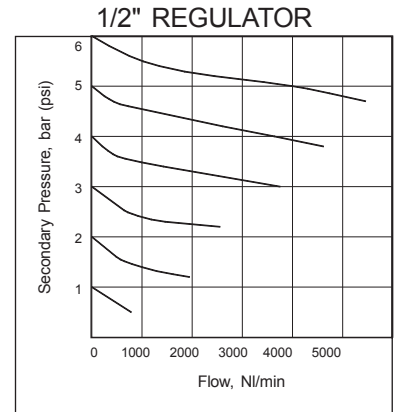
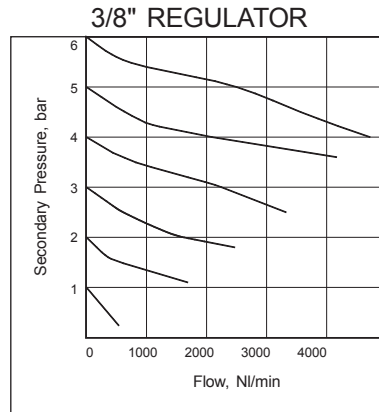
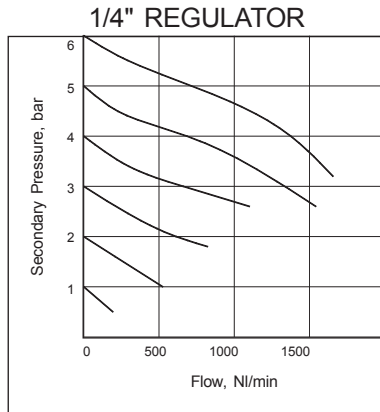
Model	W	V	A	B	E	F	GØ	J	K	L	T	ØM
R13	G1/4	G1/8	SQ 40	81	13	30	28	28	45	5.5	2	31
R14	G3/8	G1/8	SQ 55	135	40	40	40	40	53	6.5	2	43
R15	G1/2	G1/8	SQ 70	165	40	50	51	55	62	8.5	2	53
R17	G3/4	G1/4	SQ 90	177	47.5	70	51	66	65	11	5	53
R17	G1	G1/4	SQ 90	177	47.5	70	51	66	65	11	5	53

For Details of Clamp see optional accessories Cat No APA - 01 - C

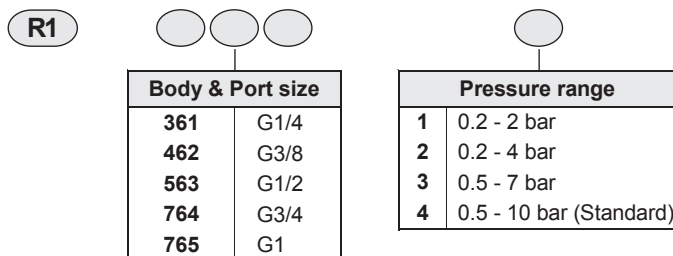
AIR PREPARATION UNITS
REGULATOR Series R1

Cat No R1 - 01 - C

Flow Graphs



How to order



Ordering Example :- Regulator - 3/8 size (with G3/8 port), with pressure range 0.5 - 7 bar: Ordering No : R14623.
If ordered as 3/8 Regulator, our standard model R14624, G3/8 with pressure range 0.5 -10 bar will be supplied.