



DRYPOINT® XCp

Premium Series Heatless Desiccant Dryers

+ Features and Benefits

ADVANCED VESSEL DESIGN:

real world, dynamic load conditions are factored into the vessel design

REDUCED SPACE REQUIREMENTS:

design height is lower by up to 30% compared to traditional designs without increasing the width

ENERGY SAVING TECHNOLOGY:

latest generation PLC with touch screen and standard demand control provide energy savings up to 70%



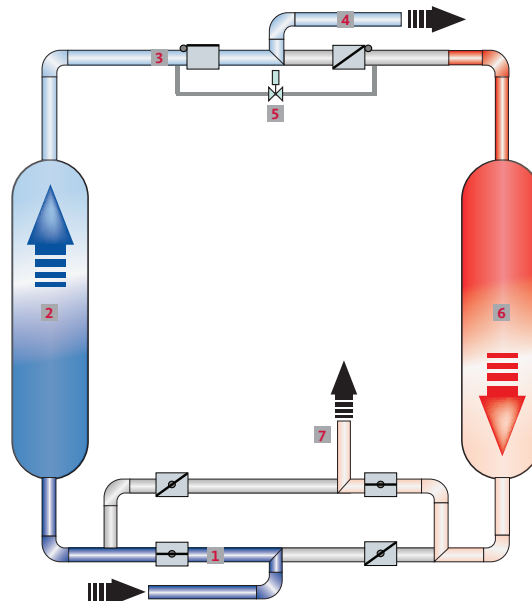
SERVICEABILITY IN MIND:

open frame designs allow for easy access to all major components, thereby simplifying maintenance and reducing PM costs

HIGH END COMPONENTS:

high performance valves with all pipe assemblies fully galvanized

+ Operating Principle



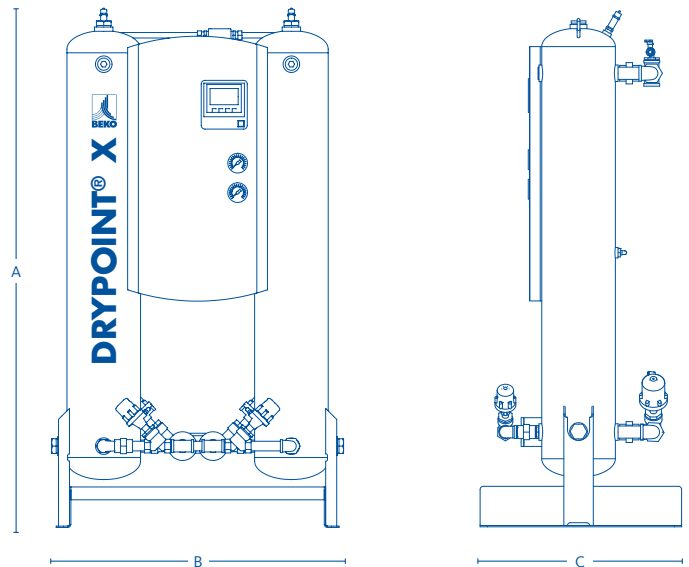
Warm, moisture saturated air enters the dryer through the open inlet valve, a required coalescing pre-filter (not pictured) is installed before entering the drying tower **1**. Air flows upward through the tower **2** where the desiccant extracts and retains water vapor, thereby lowering the dew point, before exiting the top of the tower. The dry air passes through the outlet check valve **3** and passes through the particulate post-filter (not pictured) before exiting the dryer to the air distribution system **4**. A small amount of dry air is diverted from the outlet flow of the drying tower to be used in regenerating the other

tower. This diverted air is controlled by the adjustable purge valve **5** and exits into the regenerating tower at near atmospheric pressure. This dry air flows downward through the tower **6**, absorbing water from the moisture laden desiccant, before exiting near the bottom of the tower. This moist purge air passes through the purge exhaust valve and is vented to open atmosphere **7** through the muffler. After a set amount of time the air flow through the dryer will reverse, turning the drying tower into the regenerating tower.

DRYPOINT® XCp Premium Heatless Desiccant Dryers

with standard humidity control and BEKOTOUCH PLC

Standard pressure dew point	-40 °F
Optional pressure dew point	-100 °F (on request)
Approx. purge air consumption	15% at 100 psig / -40 °F
Min. / Max. operating pressure	60 / 150 psig
Max. ambient air temperature	122 °F
Min. / Max. inlet air temperature	40 °F / 120 °F
Standard intelligent power supply	120-240 Vac / 50-60 Hz
UL certified controller	
IP 65 rated valve assembly	
ASME / CRN approved vessels	



DRYPOINT® XCp	XCp 80	XCp 100	XCp 120	XCp 160	XCp 200	XCp 250	XCp 300	XCp 400	XCp 500	XCp 650	XCp 800
Connection size (NPT)	¾"	1"	1"	1¼"	1¼"	1½"	1½"	2"	2"	2½"	2½"
Flow Rate (scfm)	80	100	120	160	200	250	300	400	500	650	800
Dimension data											
A (inches)	69	69	69	69	69	70	70	73	75	76	76
B (inches)	31	34	34	39	39	45	45	51	54	62	63
C (inches)	22	24	24	27	27	32	32	36	38	41	44
Weight (lbs)	128	203	203	311	311	460	460	649	845	1,074	1,270
Total fill (lbs)	95	150	150	230	230	340	340	480	625	795	940

DRYPOINT® XCp	XCp 1000	XCp 1200	XCp 1500	XCp 1900	XCp 2300	XCp 2800
Connection size (NPT)	2½" Flange	2½" Flange	3" Flange	3" Flange	4" Flange	4" Flange
Flow Rate (scfm)	1000	1200	1500	1900	2300	2800
Dimension data						
A (inches)	90	91	94	94	103	103
B (inches)	66	66	72	72	91	91
C (inches)	32	34	44	44	46	46
Weight (lbs)	1,490	1,792	2,814	2,814	4,168	4,168
Total fill (lbs)	1,120	1,336	2,111	2,111	3,127	3,127

Correction Factor

Operating Pressure (psig)	60	70	80	90	100	110	120	130	140	150
Correction Factor	.65	.74	.83	.91	1.00	1.12	1.16	1.2	1.25	1.29

Inlet Air Temperature °F	90	95	100	105	110	115	120
Correction Factor	1.07	1.04	1.00	.86	.73	.64	.55

Subject to technical errors, changes, omissions and/or corrections without prior notice.